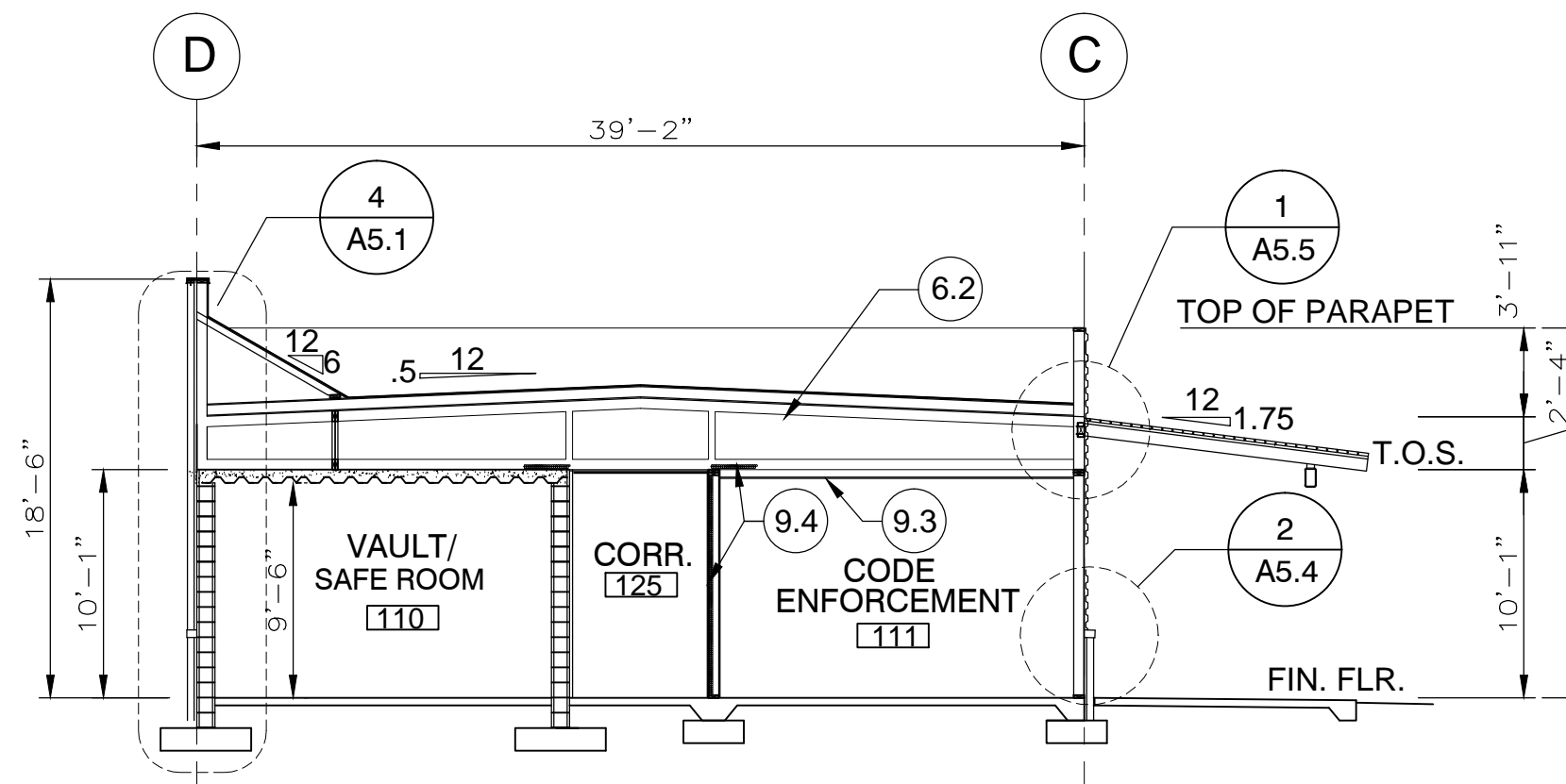
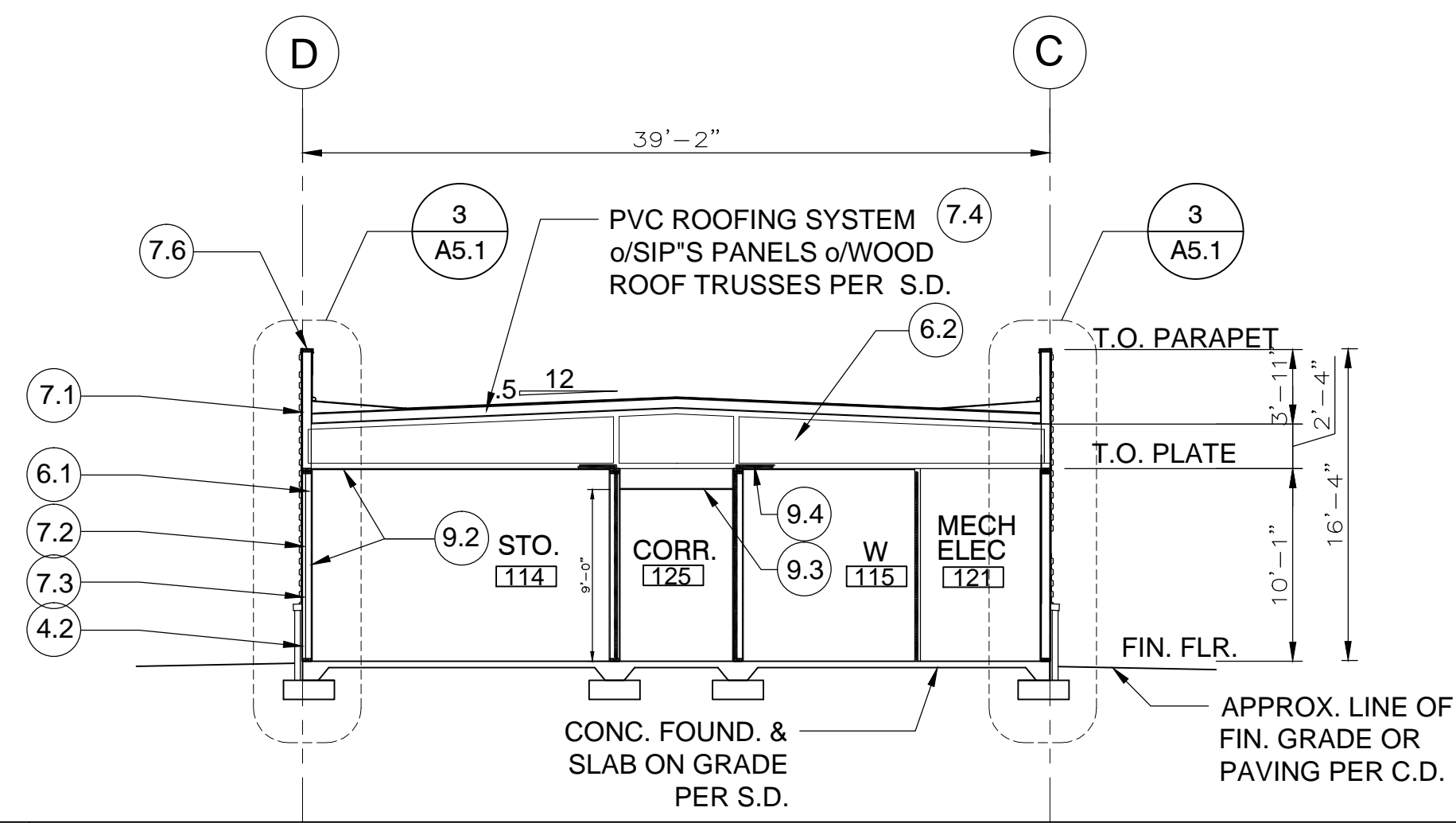


KEYNOTES

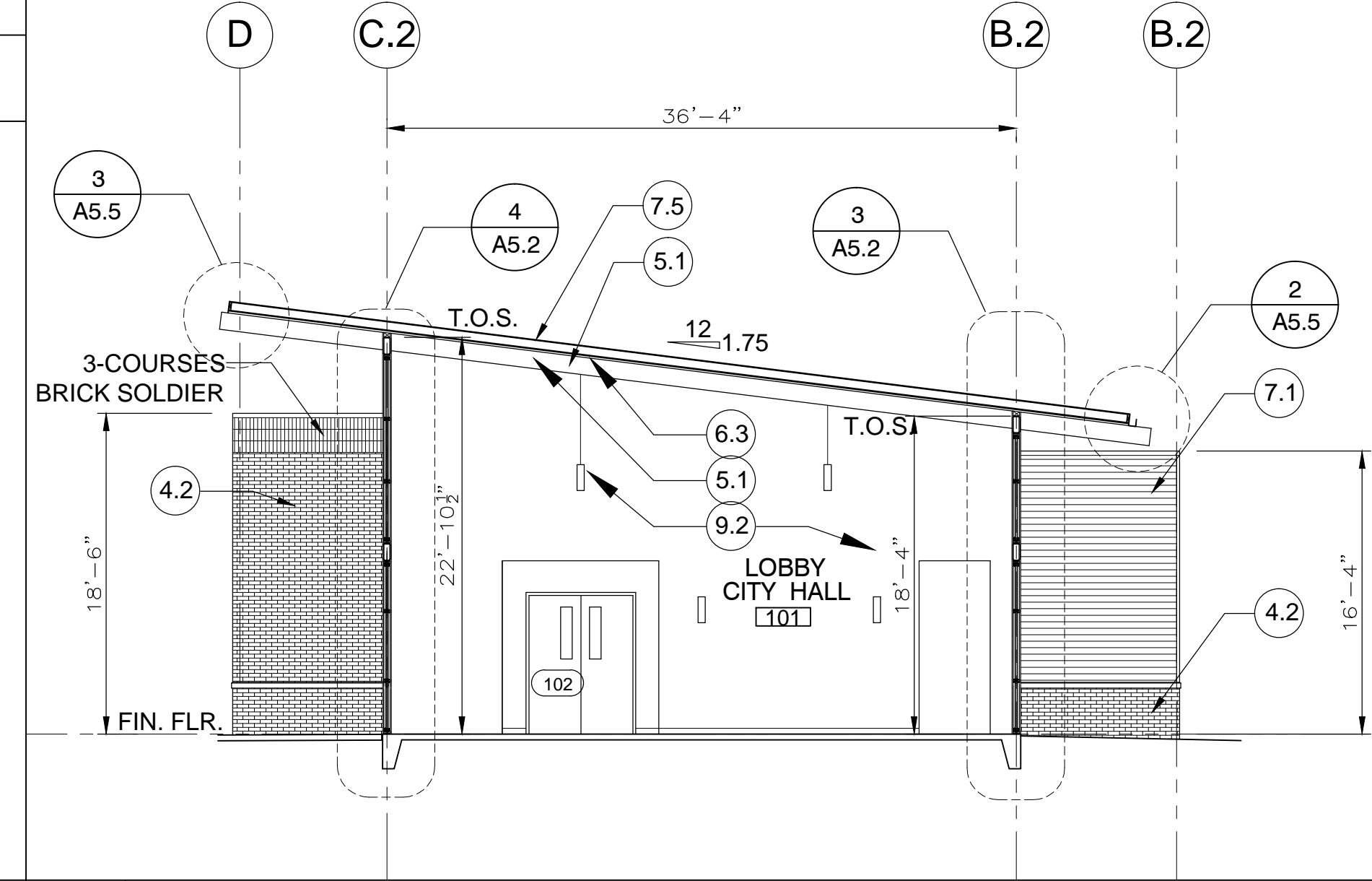
- 4.2 BRICK VENEER
- 5.1 EXPOSED STRUCTURAL STEEL PAINT PER SPECIFICATIONS
- 6.1 2x6 FRAMING @ 16" O.C. PER S.D.
- 6.2 PRE-ENGINEERED WOOD ROOF TRUSSES PER S.D.
- 6.3 2x6 T & G SOLID WOOD DECKING PER S.D. w/FACTORY APPLIED STAIN
- 7.1 METAL WALL PANELS SHALL BE MIN. 24 GA. GALV. STEEL w/KYNAR 500 FINISH COAT. PANELS SHALL BE SYMMETRICAL RIB, EXPOSED FASTENER
- 7.2 PANELS BY PAC-CLAD PETERSEN OR EQUAL.
- 7.2 'TYVEK' OR EQUAL BUILDING WRAP AS SPEC.
- 7.3 2" SPRAY APPLIED CLOSED CELL POLYURETHANE INSULATION-APPLY TO INTERIOR FACE OF PLYWOOD SHEATH.
- 7.4 MIN. 50 MIL SINGLE PLY PVC MEMBRANE ROOFING o/4" COVER BD. o/6 1/2" SIP'S PANELS o/PRE-ENGINEERED WOOD ROOF TRUSSES PER STRUC. DWGS.
- 7.5 STANDING SEAM MTL. ROOF SYSTEM o/6 1/2" SIP'S PANELS o/1 1/2" T&G SOLID WOOD DECKING o/STL. HSS BEAMS
- 7.6 METAL CAP FLASHING AT PARAPETS, AND ALL ROOF TO WALL FLASHINGS, LEADER BOXES, DOWNSPOUTS, FASCIA TRIM AND ETC. SHALL BE MIN. 24 GA. GALV. STEEL w/ KYNAR 500 FINISH
- 8.4 KAWNEER TRIFAB 451UT (OR EQUAL) (CENTER) SCREW SPLINE ASSEMBLY OUTSIDE GLAZED ALUM. FRAMING SYSTEM w/ 2"x4 1/2" FRAMING MEMBERS DESIGNED FOR CENTER GLAZING APPLICATIONS w/1" INSULATED GLASS UNITS. FINISH OF ALUMINUM SHALL BE CLEAR ANODIZED.
- 8.8 INSULATED GLASS UNITS SHALL CONSIST OF: OUTER LITE- PPG SOLARGRAY, 3/8" AIRSPACE, INNER LITE-PPG SOLARBAN ON CLEAR (OR EQUAL) ALL GLASS SHALL BE TEMPERED WHERE REQUIRED BY CODE
- 8.9 "KAWNEER" 360 INSULCLAD - MED. STILE EXTERIOR ALUM./GLASS DOOR OR EQUAL w/EXIT DEVICE, CYLINDER LOCK & PULLS
- 9.2 5/8" GYPSUM BOARD WITH LIGHT TEXTURE FINISH - PAINT
- 9.3 ACT SYSTEM - 'ARMSTRONG' BRIGHTON SERIES OR EQUAL
- 9.4 OWENS CORNING 2 1/2" SOUND ATTENUATION BATT INSULATION-TYP. AT ALL INTERIOR WALLS AND AT THE CEILING LINE ALONG BOTH SIDES OF THE CORRIDOR - INSTALL A 16" WIDE CONTINUOUS STRIP LAID HORIZONTALLY ALONG THE TOP OF THE WALL



4A BUILDING SECTION

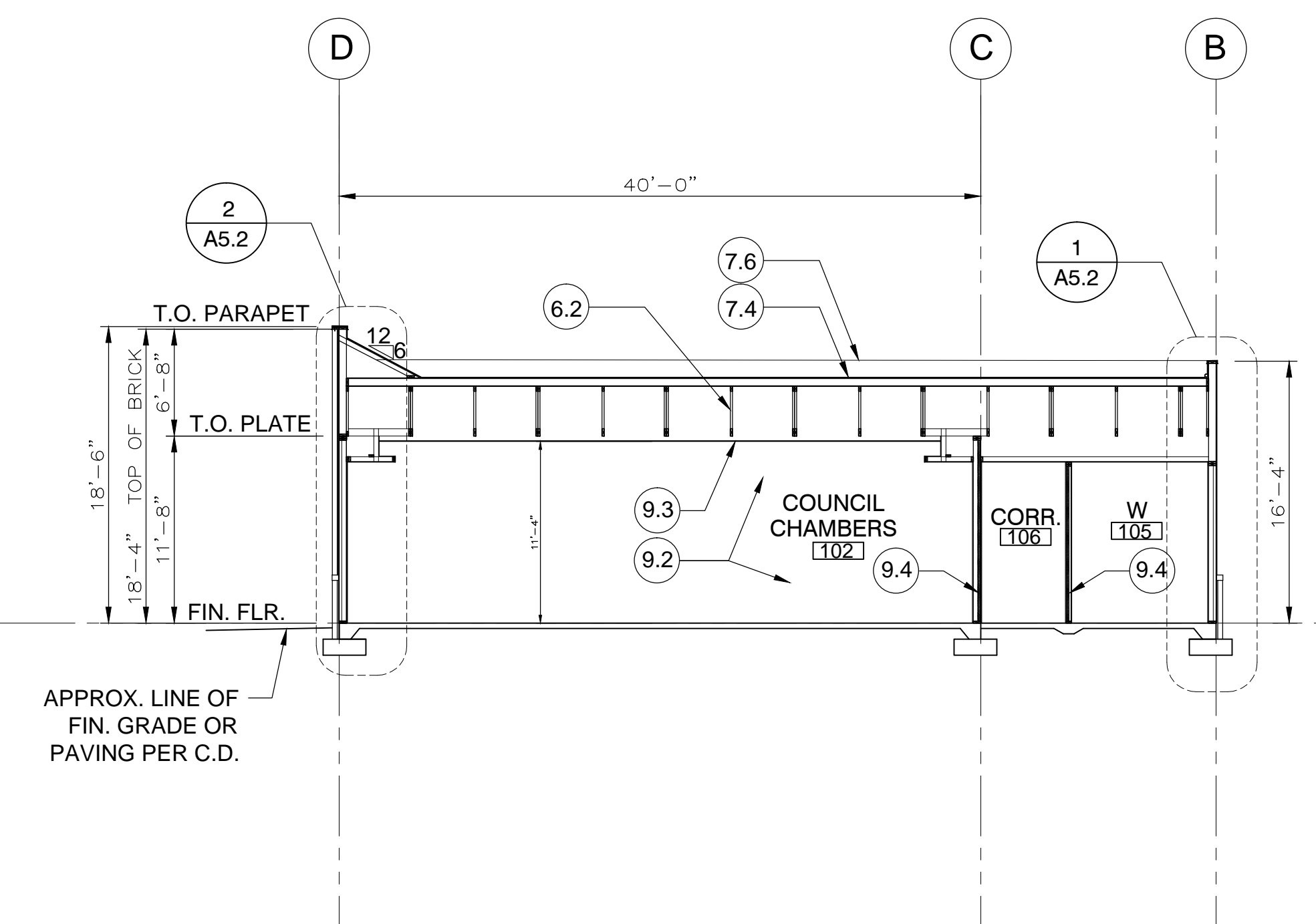


4B BUILDING SECTION

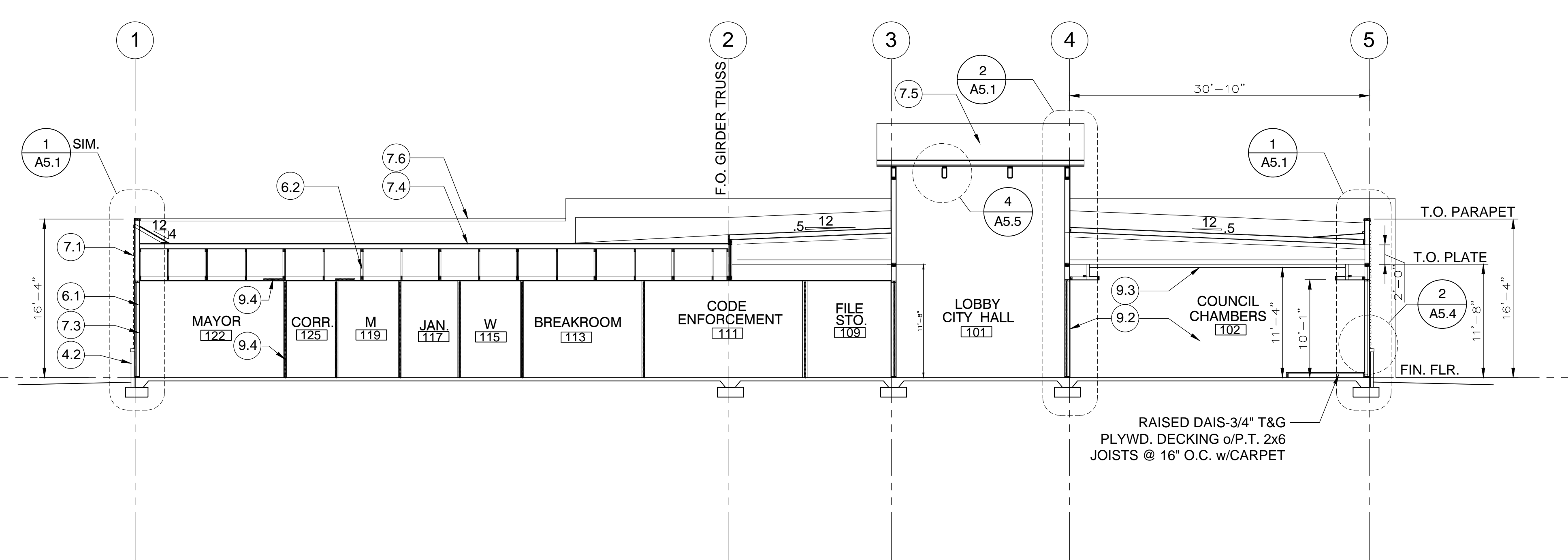


3 BUILDING SECTION

4 KEYNOTES



2 BUILDING SECTION



1 BUILDING SECTION

GEOTECHNICAL ENGINEER
MTA Engineers
 A Division of Material Testings of Arkansas
 P.O. Box 23715
 Little Rock, AR 72221
 Ph. 501.753.2326
 Fax 501.753.5747

REGISTERED ARCHITECTS
 ETC Engineers & Architects, Inc.
 No. C-462
 ARKANSAS

REGISTERED ARCHITECT
 GERRARD
 License Number 4844
 STATE OF ARKANSAS
 11.06.2016

ETC ENGINEERS & ARCHITECTS, INC.
 Environmental, Technical Consultants, Inc.
 ENGINEERING & ARCHITECTURAL CONSULTANTS, CONSTRUCTION MANAGERS
 BUILDING A BETTER WORLD
 1516 S. Broadway, Little Rock, AR 72202 Phone: (501) 571-1700 FAX: (501) 571-1277

FORREST CITY HALL
NEW CITY HALL
 FORREST CITY, AR

ISSUE / DATE	DESCRIPTION

DATE: DESCRIPTION:
 PROJECT NO: 163902CFC
 PROJECT PHASE: CONSTRUCTION DOCUMENTS
 DRAWN BY: CHECKED BY: GLA

BUILDING SECTIONS
 NOVEMBER 8, 2016

A3.1