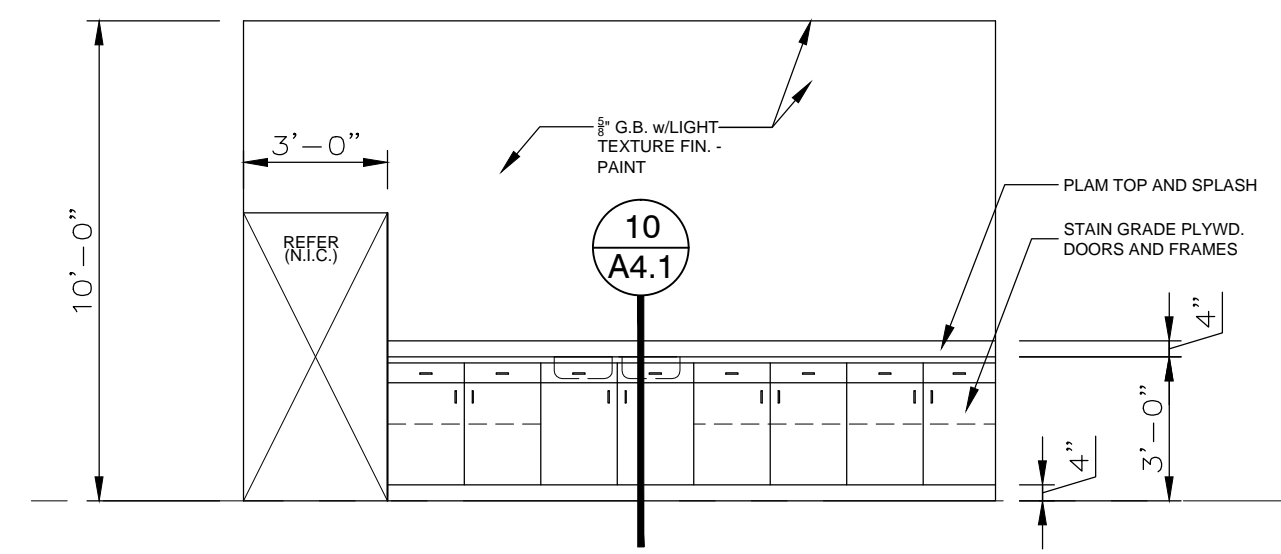


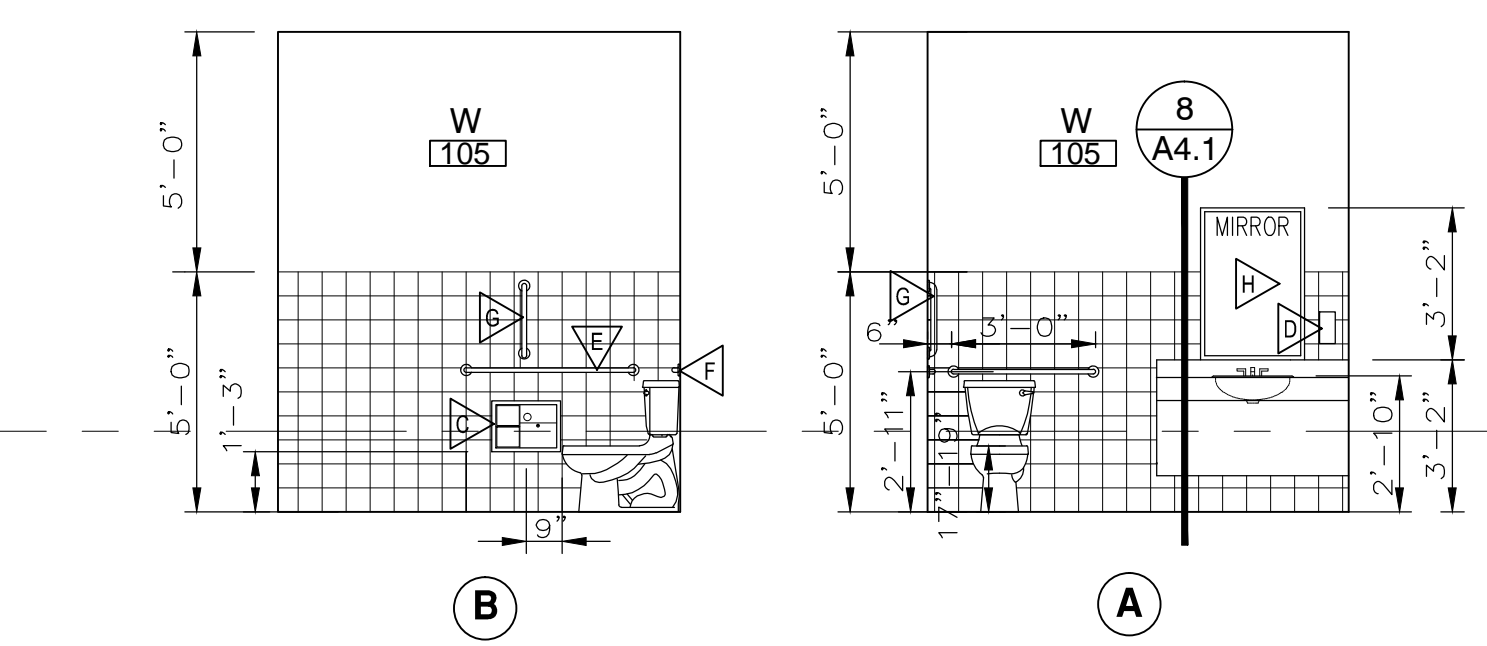
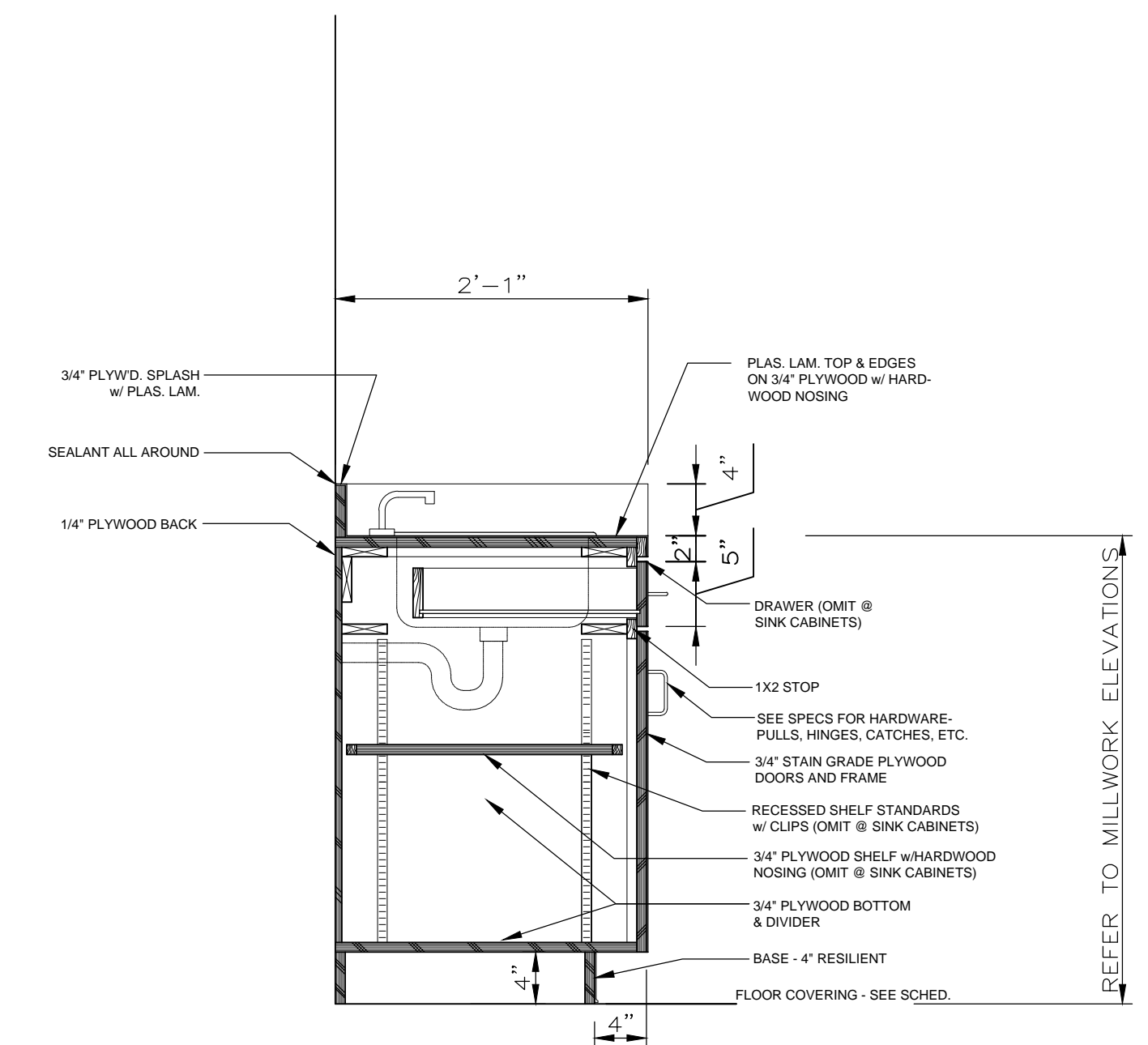
**ETC ENGINEERS & ARCHITECTS, INC.**  
 Environmental, Technical, Construction, Inc.  
 ENGINEERING & ARCHITECTURAL CONSULTANTS, CONSTRUCTION MANAGERS  
 BUILDING A BETTER WORLD  
 1516 S. Broadway, Little Rock, AR 72202 - Phone: (501) 371-1700 - FAX: (501) 371-1277

**FORREST CITY  
 NEW CITY HALL**  
 FORREST CITY, AR

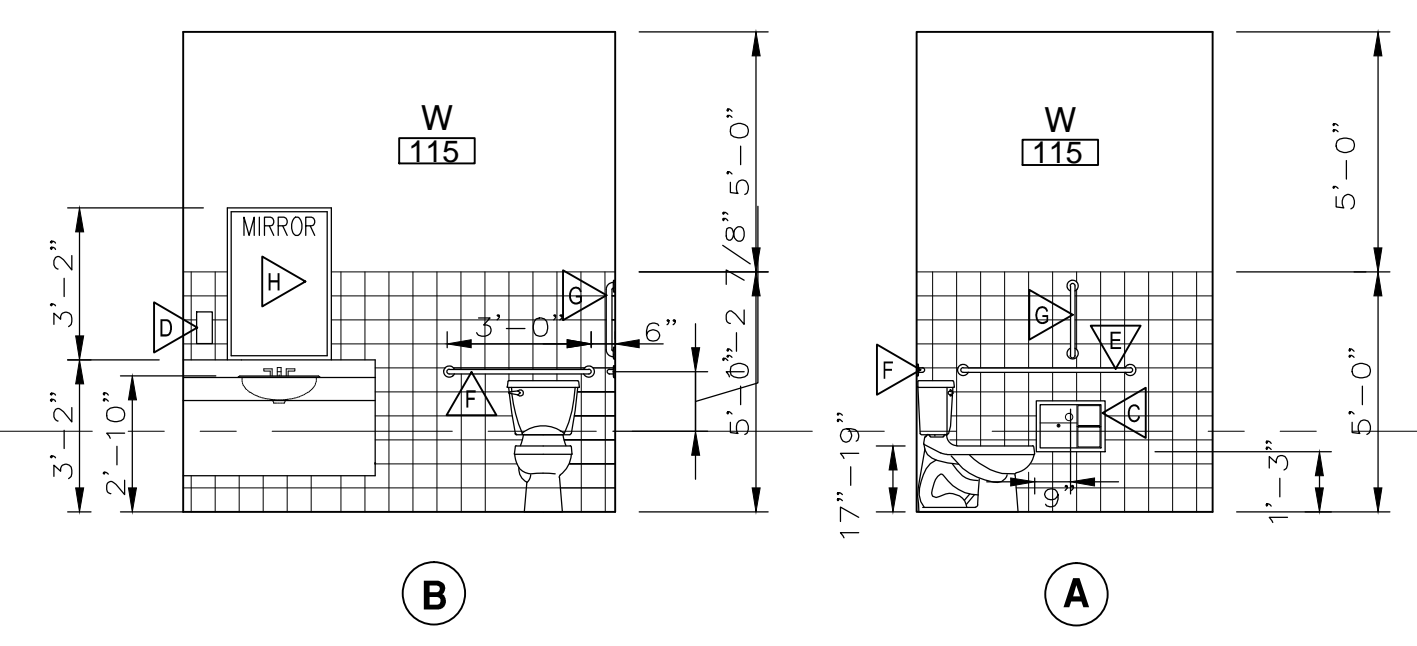


**9 BREAKROOM CABINET ELEVATION**

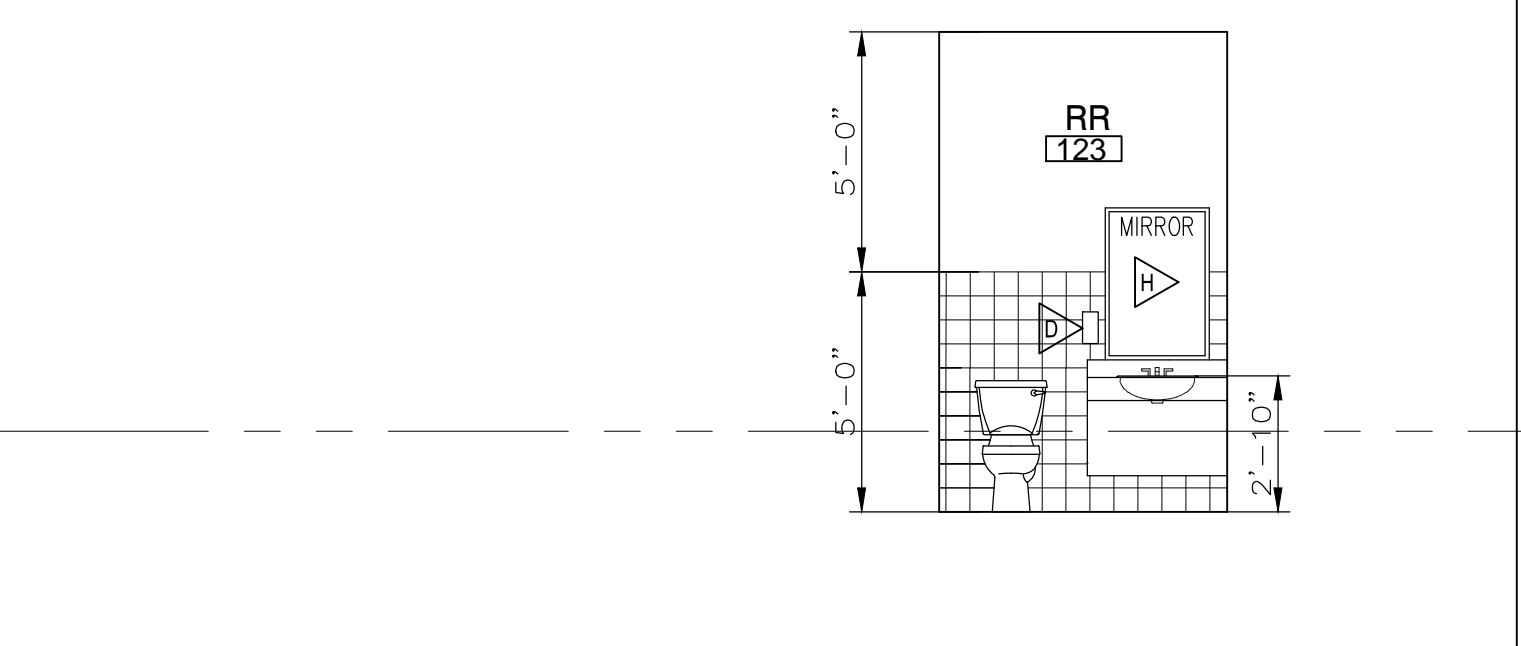
**10 CABINET DETAIL**



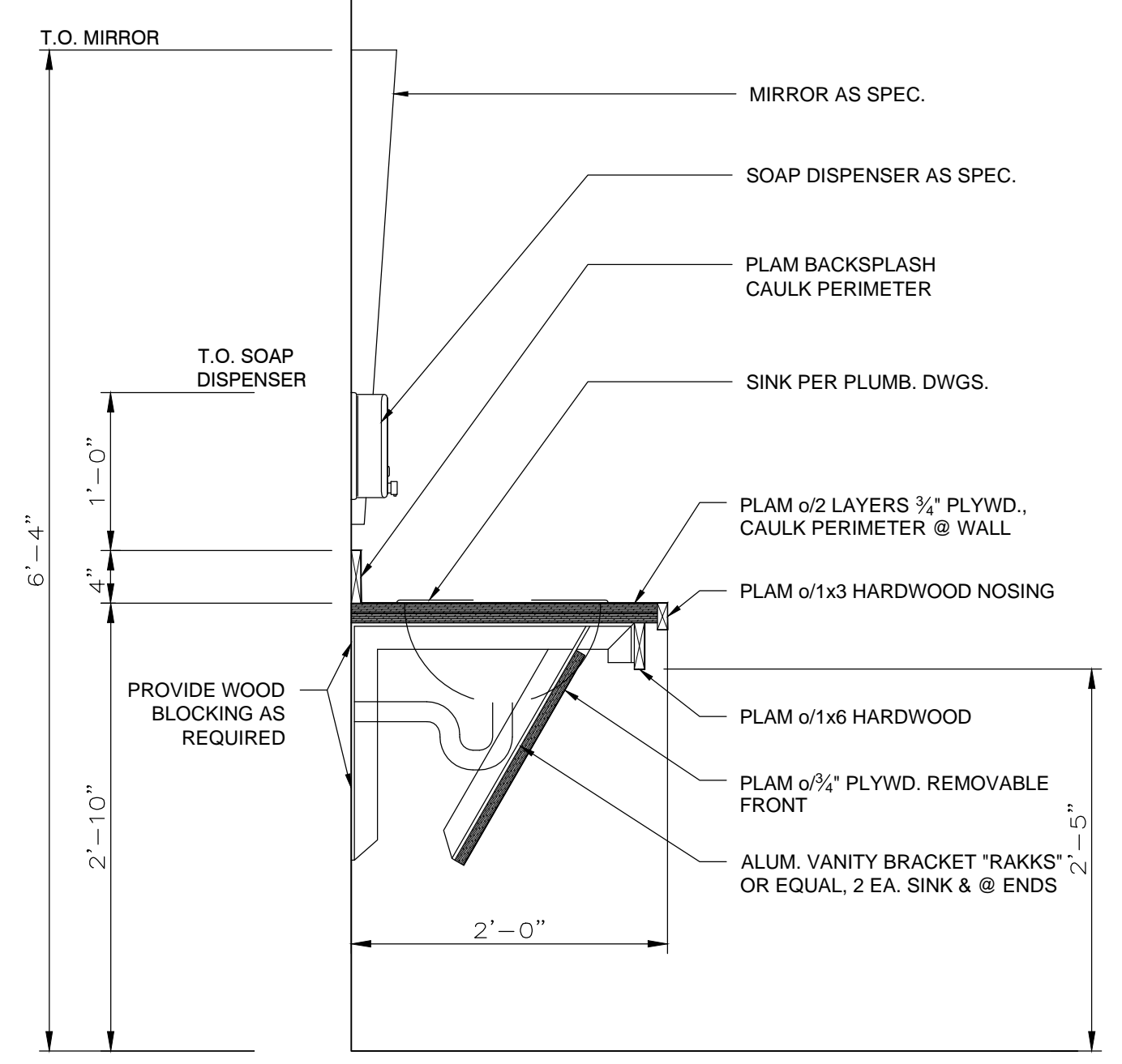
**5 INTERIOR ELEVATIONS**



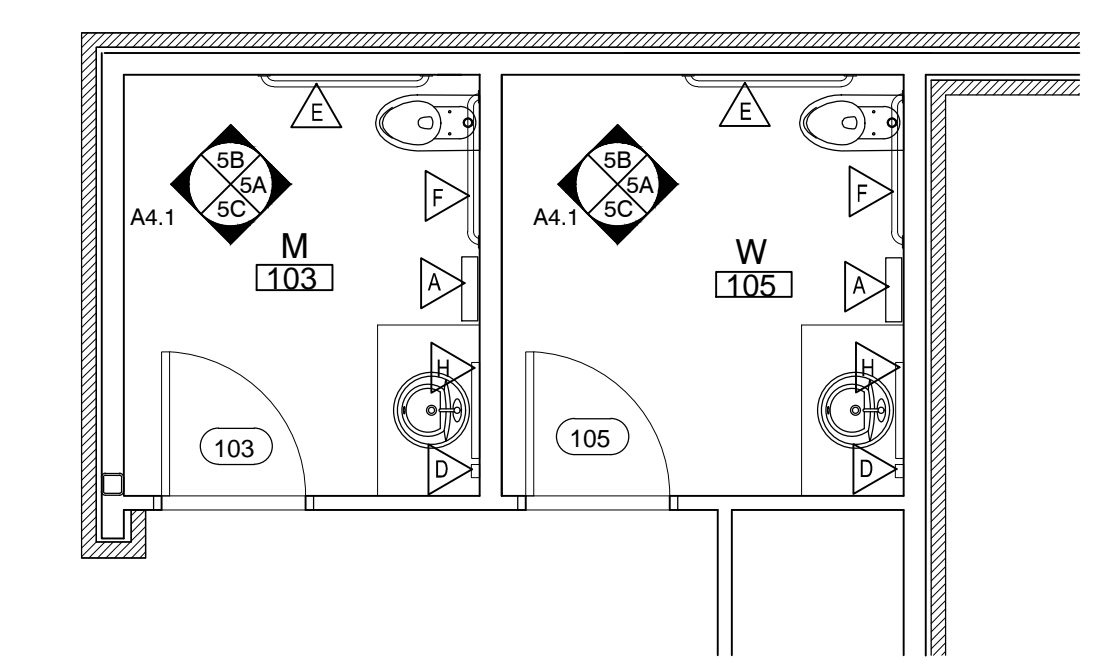
**6 INTERIOR ELEVATIONS**



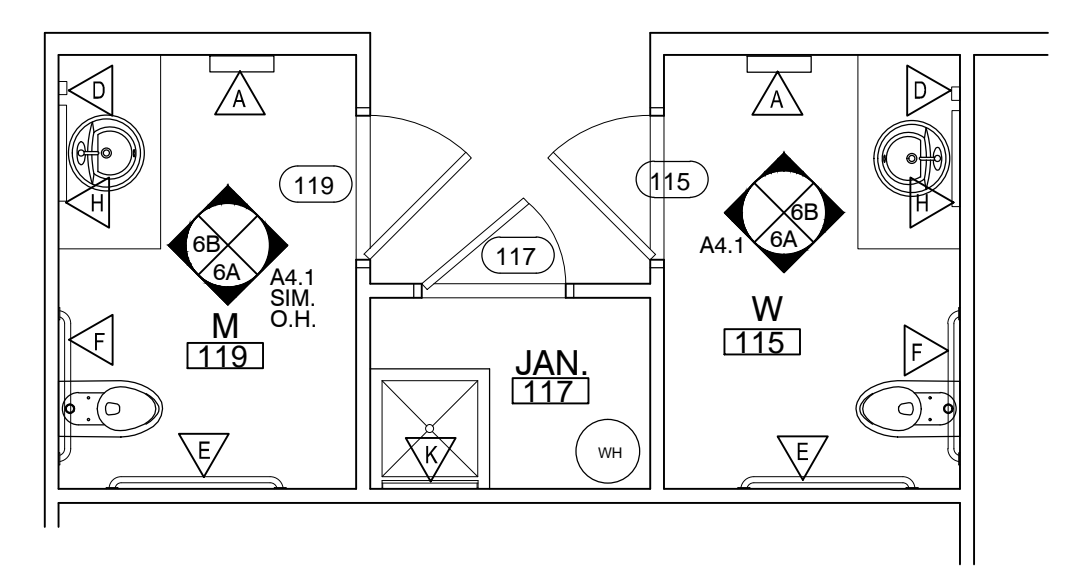
**7 INTERIOR ELEVATIONS**



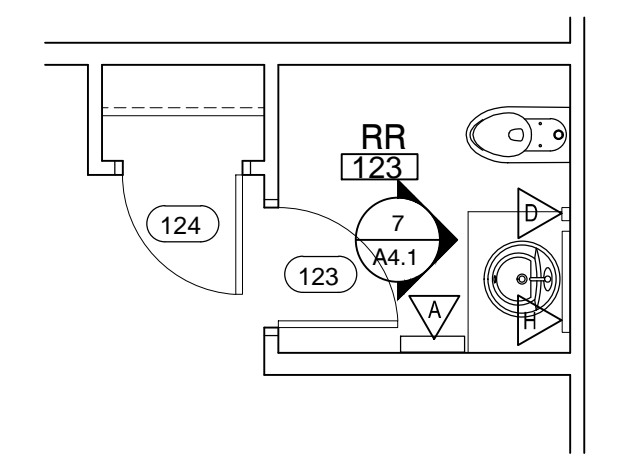
**8 VANITY DETAIL**



**1 ENLARGED PLAN**



**2 ENLARGED PLAN**



**3 ENLARGED PLAN**

**ACCESSORY SCHEDULE**

- A** HAND DRYER-BOBRICK - B7128 @ 43 1/2" A.F.F.
- B** RECESSED MOUNTED SINGLE ROLL TOILET TISSUE DISPENSER - BOBRICK B-, MOUNT @ 24" AFF
- C** RECESSED MOUNTED COMBINATION SANITARY NAPKIN DISPOSAL TOILET TISSUE DISPENSER BOBRICK B- MOUNT TOP @ 28" AFF
- D** SURFACE MOUNTED SOAP DISPENSER - BOBRICK B-2111 MOUNT TOP @ 50" AFF
- E** STSTL. 42" LONG GRAB BARS - BOBRICK B-5806x42 MOUNT HORIZ. CENTER @ 34" AFF
- F** STSTL. 36" LONG GRAB BARS - BOBRICK B-5806x36 MOUNT HORIZ. CENTER @ 34" AFF
- G** STSTL. 18" LONG GRAB BARS - BOBRICK B-5806x18 MOUNT VERT. BOT. @ 40" AFF
- H** STSTL. FRAMED TILT MIRROR - BOBRICK B-293 2436 MOUNT BOT. @ 40" AFF
- I** SURFACE MOUNT STSTL. HORIZONTAL BABY CHANGING STATION KOALA-HORIZONTAL KB110-SSWM MOUNT BOT. @ 32" AFF
- K** STSTL. MOP HOLDER (JANITOR'S CLOSET) - BOBRICK B-223x24 MOUNT TOP @ 60" AFF
- L** CLOSET ROD AND 12" MELAMINE SHELF

NOTES: 1. PROVIDE ADEQUATE BLOCKING AS REQUIRED FOR ALL INSTALLATIONS 2. COAT HOOKS ARE INCLUDED AS STANDARD HARDWARE ON "BOBRICK" PARTITIONS

**4 ACCESSORY SCHEDULE**

ISSUE / DATE	
DESCRIPTION	
PROJECT NO.	163902CFC
PROJECT PHASE	CONSTRUCTION DOCUMENTS
DRAWN BY:	GLA
CHECKED BY:	GLA

**ENLARGED  
 PLANS  
 INTERIOR  
 ELEVATIONS**  
 NOVEMBER 8, 2016

**A4.1**