



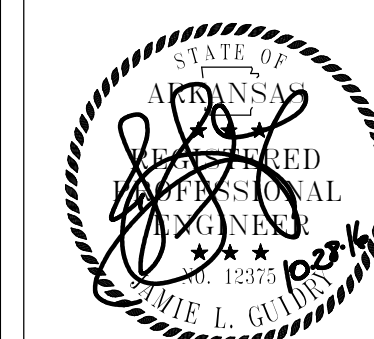
NES
 CONWAY OFFICE
 813 OAK STREET, SUITE 10A #937
 CONWAY, AR 72032
 LITTLE ROCK OFFICE
 3801 WOODLAND HEIGHTS ROAD, SUITE 125-D
 LITTLE ROCK, AR 72212
 PH: 501.235.3270
 FAX: 501.235.3272
 WWW.NES-ENG.COM

A PROJECT FOR:

Searcy Fire Station #2

Searcy, Arkansas

Hoffmann Architectural Inc.
 801.268.4743
 102 NORTH SPRING STREET
 SEARCY, ARKANSAS



© COPYRIGHT 2016
HOFFMANN ARCHITECTURAL INC.
 THIS DOCUMENT IS ISSUED AS AN INSTRUMENT OF SERVICE AND IS FOR THE PRODUCTION OF A SINGLE FACILITY AS NOTED IN THE SHEET TITLE. OWNERSHIP OF THIS DOCUMENT IS RETAINED BY HOFFMANN ARCHITECTURAL INC.. UNAUTHORIZED REPRODUCTION IS PROTECTED BY THE COPYRIGHT LAWS OF THE UNITED STATES AND IS HEREWITH PROHIBITED.

DATE:
10/28/16

REVISIONS:
 1 ADDENDUM #2 12/XX/2016

CONTRACTOR MUST CHECK AND VERIFY ALL DIMENSIONS AND CONDITIONS ON SITE PRIOR TO ORDERING MATERIALS OR CONSTRUCTION.

DRAWN BY:
JLG

PLUMBING PLAN - FIRST FLOOR

SHEET:
P1.1

KEYED NOTES - DENOTED BY #

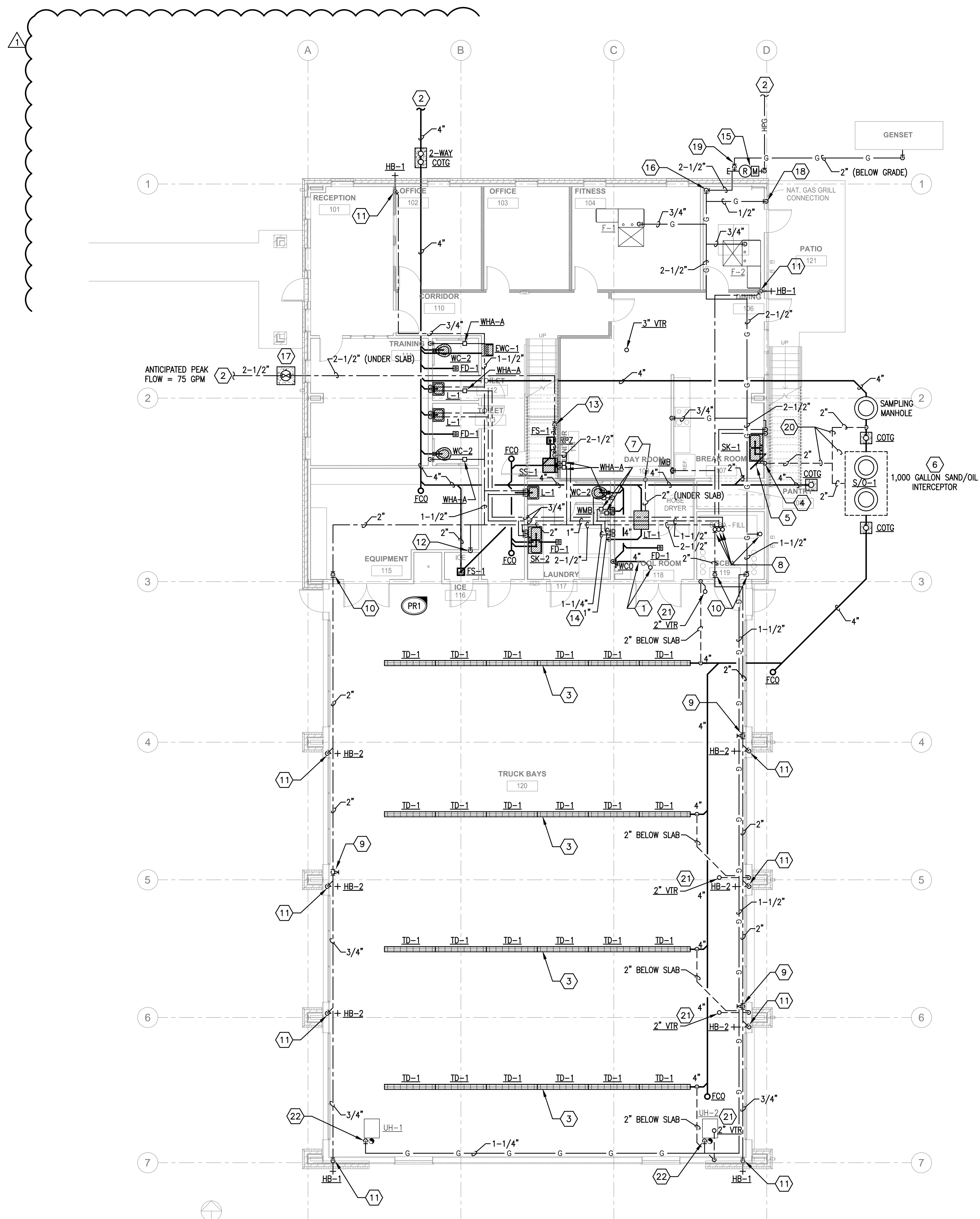
- NOTE: REFER TO THE ARCHITECTURAL PLANS FOR ALL ROOM NAMES AND NUMBERS.
- 4" SEWER FROM ABOVE. OFFSET ABOVE CEILING AS REQUIRED TO DROP IN THE WALL.
 - REFER TO THE SITE UTILITY PLAN FOR CONTINUATION.
 - PROVIDE A MODULAR FLOW-THROUGH TRENCH DRAIN SYSTEM AS SCHEDULED. SECTIONS SHALL BE MANUFACTURED WITH BOTTOMS CONTINUOUSLY PITCHED TO DRAIN TO THE EFFLUENT PIPE.
 - RISE WITH THE 2" TANK VENT UP IN THE WALL TO ABOVE THE CEILING AND CONTINUE AS SHOWN.
 - CONNECT TO THE PLUMBING VENT SYSTEM IN THIS VICINITY. REFER TO THE PLUMBING RISER.
 - VERIFY THE CAPACITY OF THE OIL/SAND INTERCEPTOR WITH THE LOCAL WASTEWATER UTILITY PRIOR TO BID.
 - RISE FROM BELOW SLAB IN THE WALL WITH A 2" TANK VENT AND CONTINUE AS INDICATED IN THE PLUMBING RISERS.
 - 2" CW, 1-1/2" HW, 3/4" HWR AND 2" NG UP THROUGH THE FLOOR.
 - DROP ALONG THE WALL WITH A 2" CW LINE AND TRANSITION AS REQUIRED TO CONNECT TO A 2-1/2" HOSE FILL VALVE AT 48" A.F.F. VALVE SHALL BE EQUAL TO A DIXON #WD0251F, RESILIENT WEDGE GATE VALVE, FORGED BRASS, WHEEL HANDLE, 2-1/2" MALE NPT OUTLET WITH DUST CAP. VERIFY EXACT VALVE TYPE AND HOSE CONNECTION TYPE WITH OWNER PRIOR TO SUBMITTING FOR APPROVAL. PIPE RISER SHALL BE STRAPPED SECURELY TO THE WALL AT 5' O.C.
 - RISE TO MAX. HEIGHT AND CONTINUE IN THE TRUCK BAYS AS CLOSE TO THE BUILDING STRUCTURE AS POSSIBLE.
 - DROP TO A HOSE BIBB AT 24" A.F.G. (EXTERIOR) OR A.F.F. (INTERIOR).
 - DROP WITH A 1/2" CW LINE TO THE ICE MAKER AND CONNECT COMPLETE AND OPERATIVE IN STRICT ACCORDANCE WITH THE ICE MAKER MANUFACTURER'S INSTRUCTIONS INCLUDING FILTER.
 - RISE FROM BELOW SLAB BENEATH THE STAIRS WITH THE 2-1/2" CW LINE TO AN RPZ. RISE TO ABOVE THE FIRST FLOOR CEILING AND CONTINUE AS SHOWN.
 - PROVIDE WATER HAMMER ARRESTORS WHA-B ON THE HOT AND COLD WATER SERVICE LINES TO THE WASHER/EXTRACTOR.
 - COORDINATE WITH THE LOCAL GAS UTILITY TO EXTEND NATURAL GAS SERVICE TO A NEW REGULATOR/METER ASSEMBLY AT THE BUILDING (HPG TO OZ.). THE TOTAL CONNECTED LOAD = 2640.0 MBH. THE REGULATOR SHALL BE LOCATED AS CLOSE TO THE CORNER OF THE BUILDING AS POSSIBLE. PROVIDE A 3" HEADER DOWNSTREAM OF THE REGULATOR.
 - RISE WITH A 2-1/2" LOW PRESSURE NATURAL GAS LINE UP IN THE MECHANICAL ROOM TO MAX. HEIGHT AND CONTINUE AS SHOWN.
 - PROVIDE A DOMESTIC WATER SHUT-OFF VALVE IN A CAST-IRON VALVE BOX WITH A CAST-IRON DROP COVER MARKED "WATER".
 - DROP IN THE WALL WITH A 1/2" NATURAL GAS LINE AND OUT TO A GAS VALVE AT 24" A.F.F. FOR CONNECTION TO A FUTURE GAS GRILL (BY OWNER). COORDINATE EXACT VALVE REQUIREMENTS WITH THE OWNER PRIOR TO ROUGH-IN.
 - DROP TO BELOW GRADE OFF THE GAS HEADER WITH A 2" GAS LINE AND CONTINUE TO THE GENSET. CONNECT TO THE GENSET COMPLETE AND OPERATIVE IN STRICT ACCORDANCE WITH THE GENSET MANUFACTURER'S INSTRUCTIONS.
 - ROUTE TANK VENTS BELOW GRADE AS SHOWN.
 - VENT STACK TERMINATIONS AT THE ROOF SHALL BE MINIMUM 5' FROM THE ROOF EDGE.
 - DROP TO CONNECT TO THE GAS-FIRED UNIT HEATER COMPLETE AND OPERATIVE WITH A LISTED GAS COCK, 6" DIRT LEG AND UNION.

WATER LINE SIZES

UNLESS NOTED OTHERWISE ON THE PLANS OR IN THE PLUMBING FIXTURE SCHEDULE, ALL CW, HW, AND HWR LINE SIZES ARE 3/4"

WATER HAMMER ARRESTORS

PROVIDE WATER HAMMER ARRESTORS AS SCHEDULED ON THE WATER SUPPLIES TO SERVING FIXTURES AND EQUIPMENT WITH FAST-CLOSING VALVES INCLUDING, BUT NOT LIMITED TO WATER CLOSETS, DISHWASHERS, ICE MAKERS, ETC. WATER HAMMER ARRESTORS SHALL BE INSTALLED IN AN ACCESSIBLE LOCATION.



PLUMBING PLAN - FIRST FLOOR
 SCALE: 1/8" = 1'-0"
 PROJECT NORTH

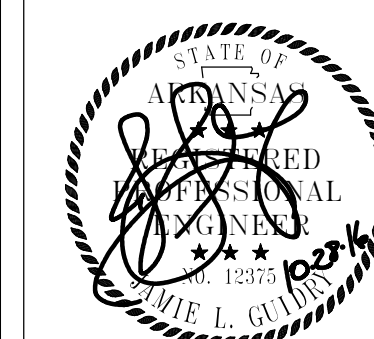


NES
 CONWAY OFFICE
 813 OAK STREET, SUITE 10A #937
 CONWAY, AR 72032
 LITTLE ROCK OFFICE
 3801 WOODLAND HEIGHTS ROAD, SUITE 125-D
 LITTLE ROCK, AR 72212
 PH: 501.235.3270
 FAX: 501.235.3272
 WWW.NES-ENG.COM

A PROJECT FOR:

Searcy Fire Station #2
 Searcy, Arkansas

Hoffmann Architectural Inc.
 801.268.4743
 102 NORTH SPRING STREET
 SEARCY, ARKANSAS



© COPYRIGHT 2016
HOFFMANN ARCHITECTURAL INC.
 THIS DOCUMENT IS ISSUED AS AN INSTRUMENT OF SERVICE AND IS FOR THE PRODUCTION OF A SINGLE FACILITY AS NOTED IN THE SHEET TITLE. OWNERSHIP OF THIS DOCUMENT IS RETAINED BY HOFFMANN ARCHITECTURAL INC.. UNAUTHORIZED REPRODUCTION IS PROTECTED BY THE COPYRIGHT LAWS OF THE UNITED STATES AND IS HEREWITH PROHIBITED.

DATE:
10/28/16

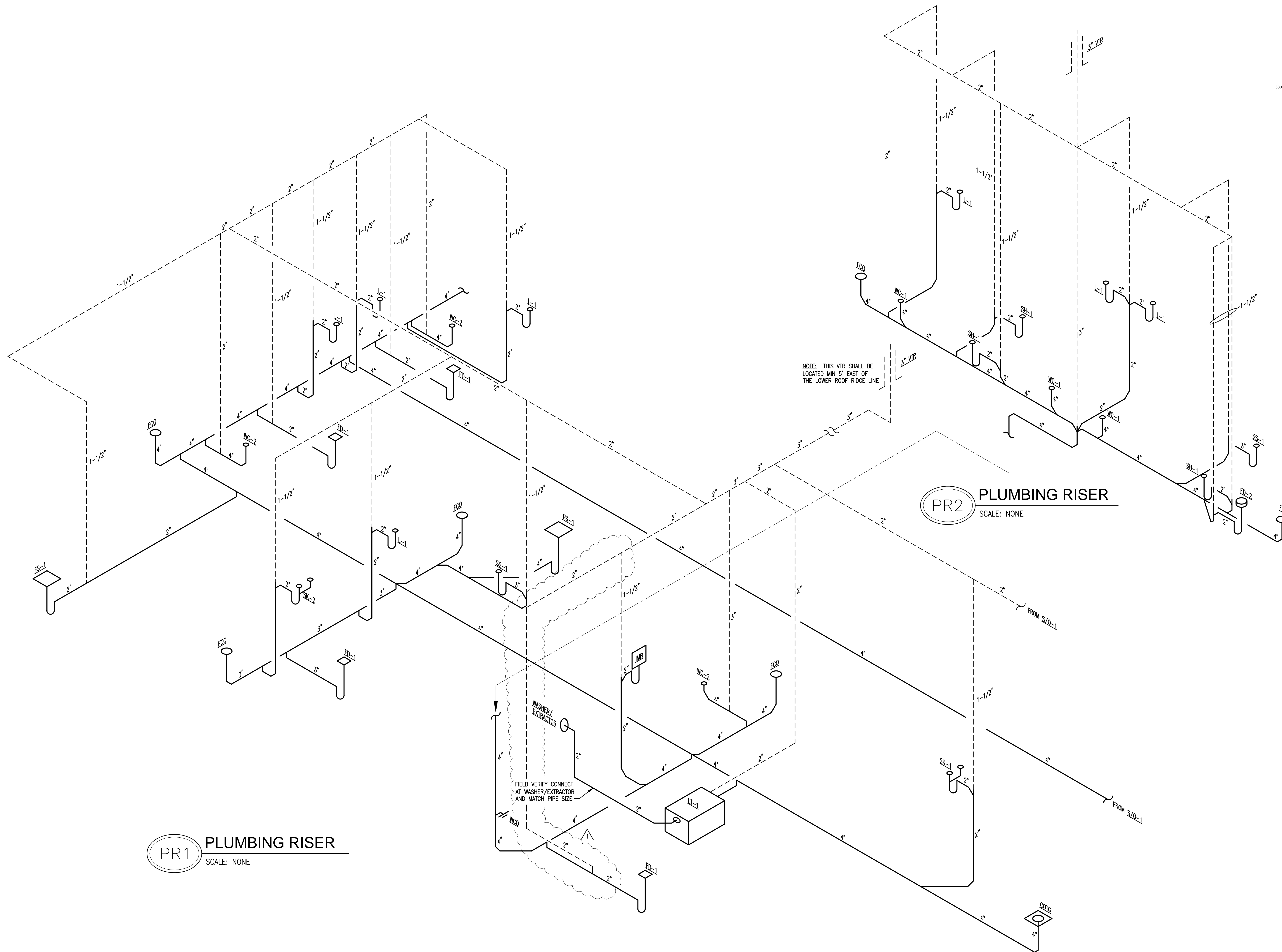
REVISIONS:
 1 ADDENDUM #2 12/XX/2016

CONTRACTOR MUST CHECK AND VERIFY ALL DIMENSIONS AND CONDITIONS ON SITE PRIOR TO ORDERING MATERIALS OR CONSTRUCTION.

DRAWN BY:
JLG

PLUMBING RISERS

SHEET:
P2.1



PR1 PLUMBING RISER
 SCALE: NONE

PR2 PLUMBING RISER
 SCALE: NONE

WASHER/
 EXTRACTOR

FIELD VERIFY CONNECT
 AT WASHER/EXTRACTOR
 AND MATCH PIPE SIZE

NOTE: THIS VTR SHALL BE
 LOCATED MIN 5' EAST OF
 THE LOWER ROOF RIDGE LINE



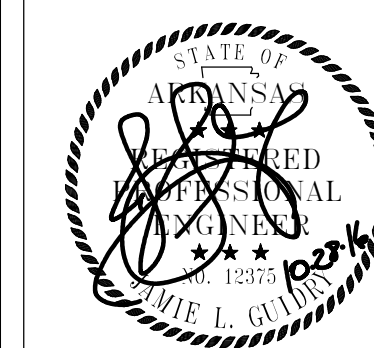
NES
 CONWAY OFFICE
 813 OAK STREET, SUITE 10A #937
 CONWAY, AR 72032
 LITTLE ROCK OFFICE
 3801 WOODLAND HEIGHTS ROAD, SUITE 125-D
 LITTLE ROCK, AR 72212
 PH: 501.235.3270
 FAX: 501.235.3272
 WWW.NES-ENG.COM

A PROJECT FOR:

Searcy Fire Station #2

Searcy, Arkansas

Hoffmann Architectural Inc.
 801.268.4743
 102 NORTH SPRING STREET
 SEARCY, ARKANSAS



© COPYRIGHT 2016
HOFFMANN ARCHITECTURAL INC.
 THIS DOCUMENT IS ISSUED AS AN INSTRUMENT OF SERVICE AND IS FOR THE PRODUCTION OF A SINGLE FACILITY AS NOTED IN THE SHEET TITLE. OWNERSHIP OF THIS DOCUMENT IS RETAINED BY HOFFMANN ARCHITECTURAL INC.. UNAUTHORIZED REPRODUCTION IS PROTECTED BY THE COPYRIGHT LAWS OF THE UNITED STATES AND IS HEREWITH PROHIBITED.

DATE:
10/28/16

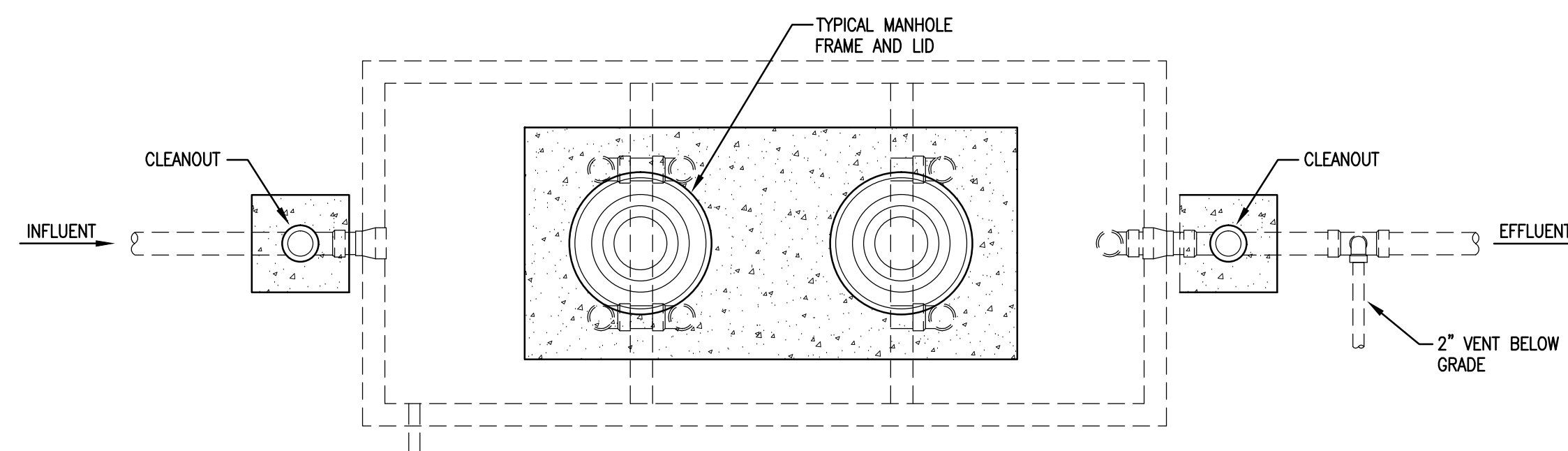
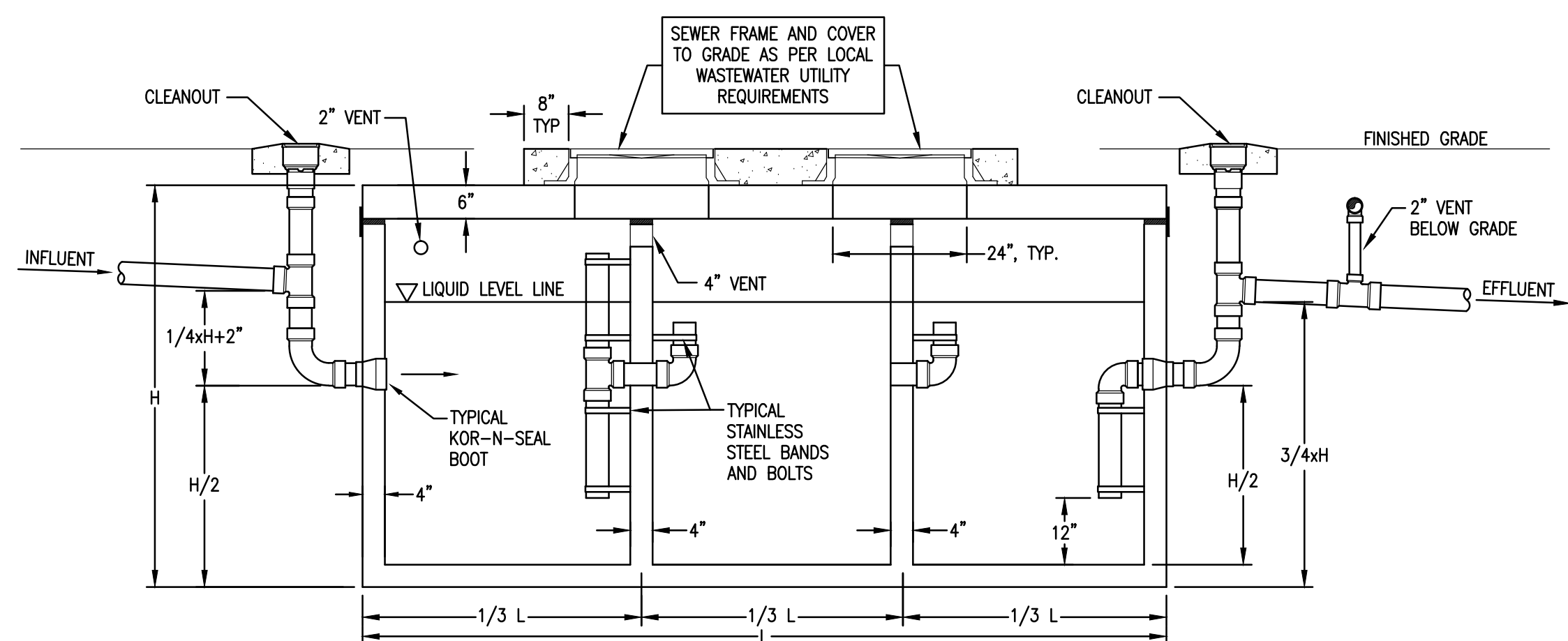
REVISIONS:
 1 ADDENDUM #2 12/XX/2016

CONTRACTOR MUST CHECK AND VERIFY ALL DIMENSIONS AND CONDITIONS ON SITE PRIOR TO ORDERING MATERIALS OR CONSTRUCTION.

DRAWN BY:
JLG

PLUMBING DETAILS

SHEET:
P3.2



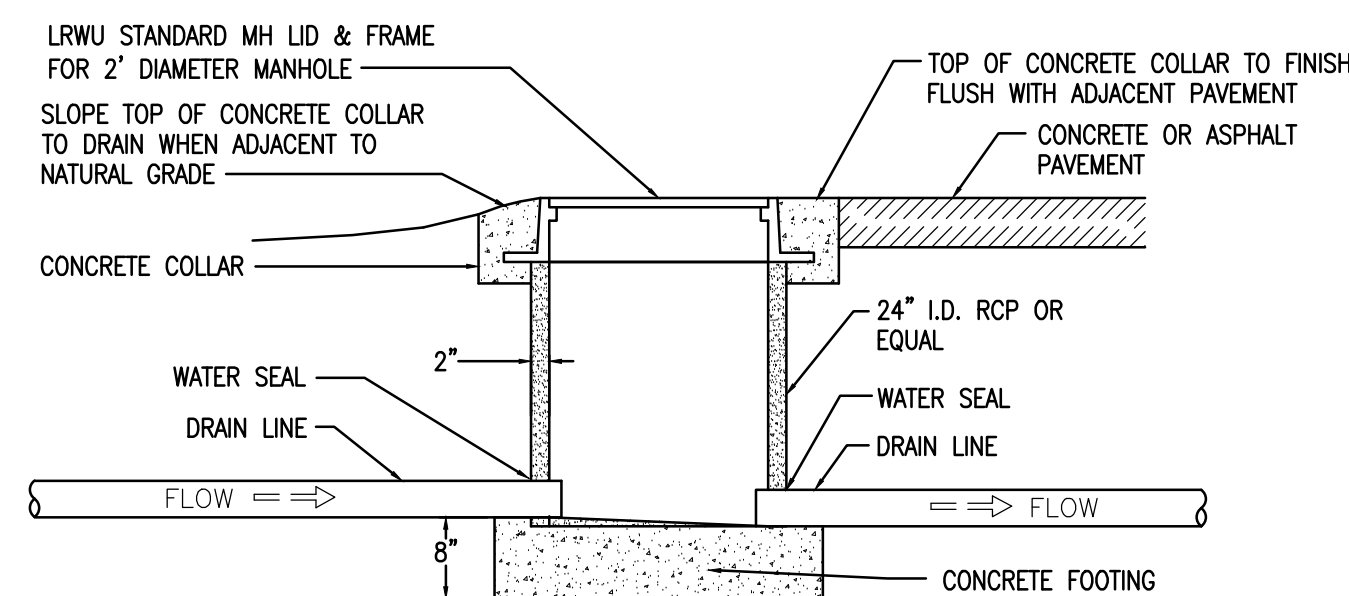
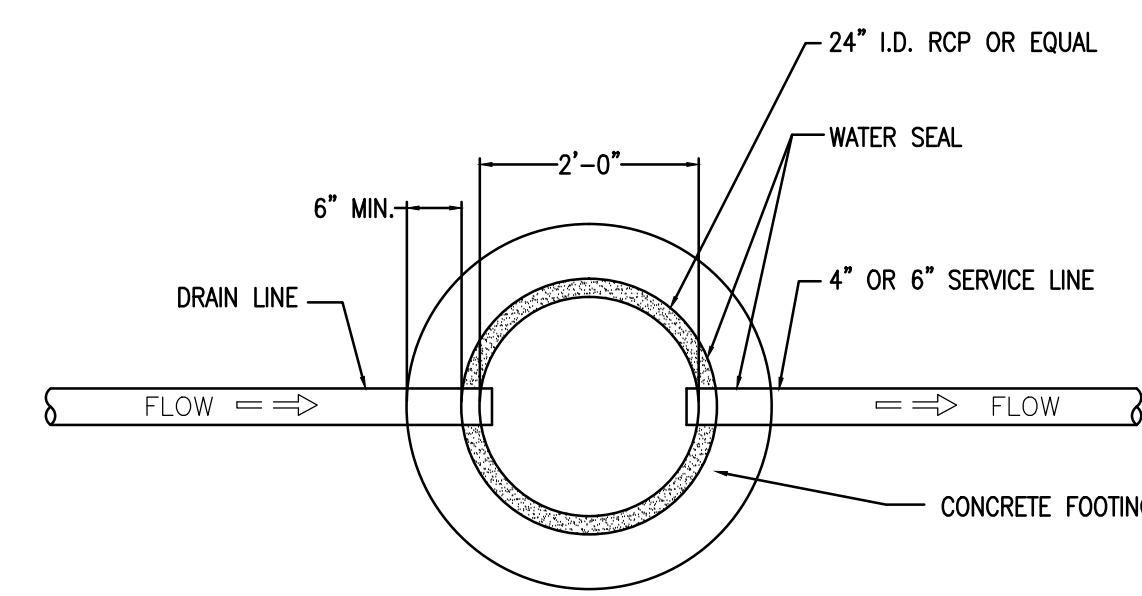
NOTES:

- OIL/SAND INTERCEPTOR SHALL BE A PRECAST CONCRETE TANK WITH TRAFFIC LID AND MANHOLE COVERS EQUAL TO PETERSON CONCRETE TANK CO., 1-800-323-2540.
- INTERCEPTOR SHALL BE SIZED AND INSTALLED IN STRICT ACCORDANCE WITH THE LOCAL WASTEWATER UTILITY'S REQUIREMENTS. THE CONTRACTOR SHALL COORDINATE AND VERIFY ALL INTERCEPTOR REQUIREMENTS WITH THE LOCAL WASTEWATER UTILITY AUTHORITY HAVING JURISDICTION PRIOR TO BID. NO ADDITIONAL COMPENSATION SHALL BE GRANTED FOR LACK OF PRIOR COORDINATION.
- ALL TANK PIPE AND FITTINGS SHALL BE 4" SCHEDULE 80 PVC.
- VENT AS PER LOCAL PLUMBING CODE LATEST REVISION.
- UPSTREAM AND DOWNSTREAM CLEANOUTS-TO-GRADE SHALL BE PROVIDED IN THE TYPE AND SIZE REQUIRED BY THE LOCAL WASTEWATER UTILITY AUTHORITY HAVING JURISDICTION.
- PROVIDE A DOWNSTREAM SAMPLING MANHOLE IF REQUIRED BY THE LOCAL WASTEWATER UTILITY AUTHORITY HAVING JURISDICTION.

P10

OIL/SAND INTERCEPTOR DETAIL

SCALE: N.T.S.



P11

INTERCEPTOR SAMPLING MANHOLE DETAIL

SCALE: N.T.S.