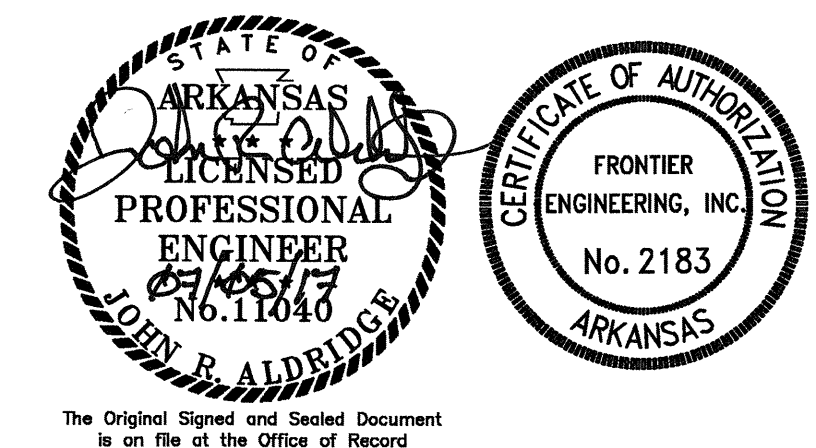
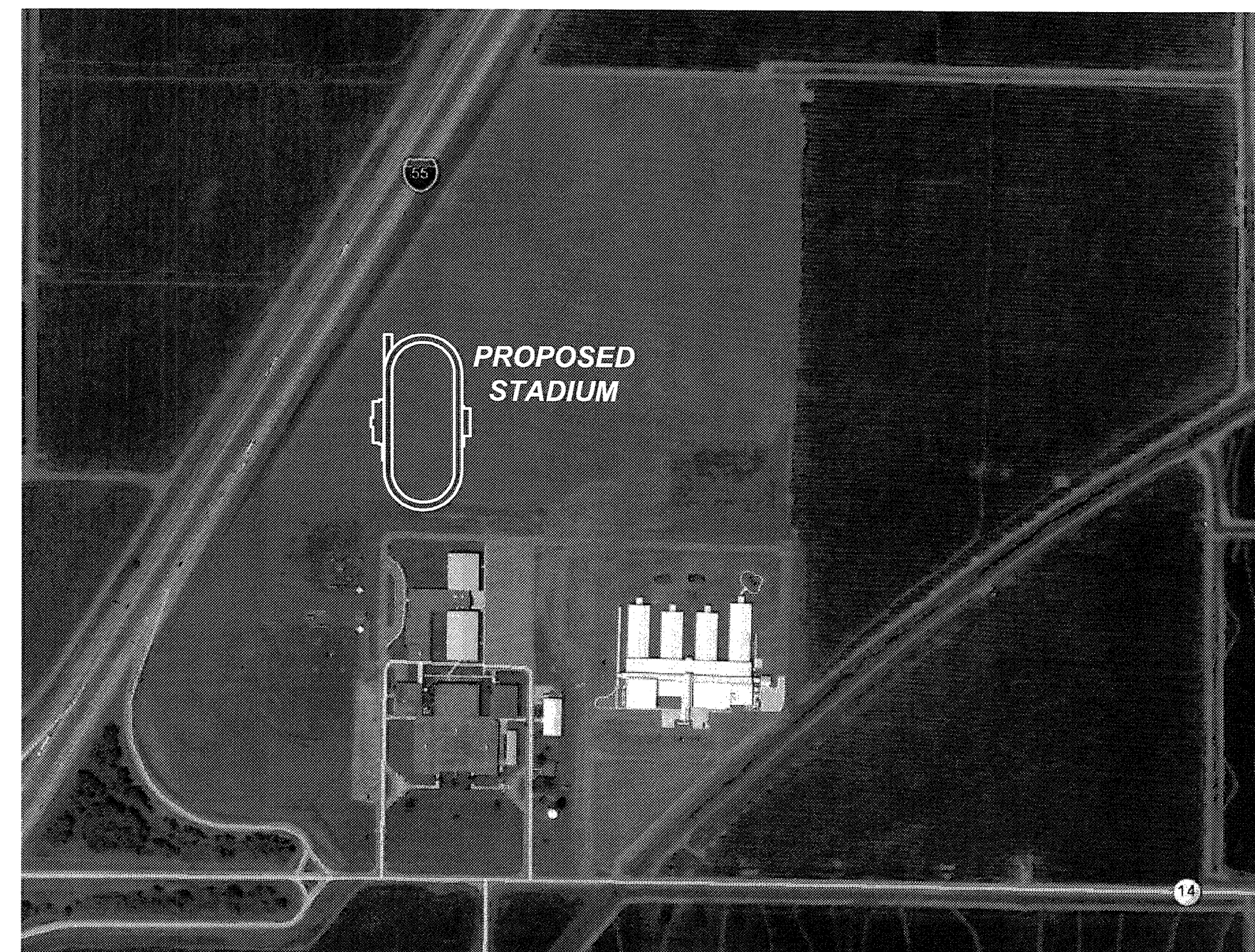


RIVERCREST HIGH SCHOOL

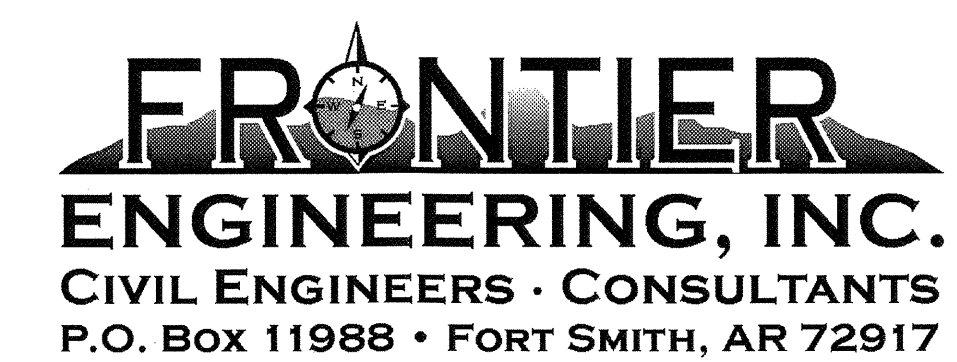
NEW TRACK AND FIELD



OWNERS REPRESENTATIVE
 TIM COWAN - ATHLETIC SURFACES PLUS
 485 RIVER RIDGE COVE
 MEMPHIS, TN 38120
 PH: 901.494.4440

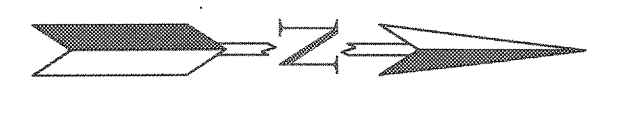
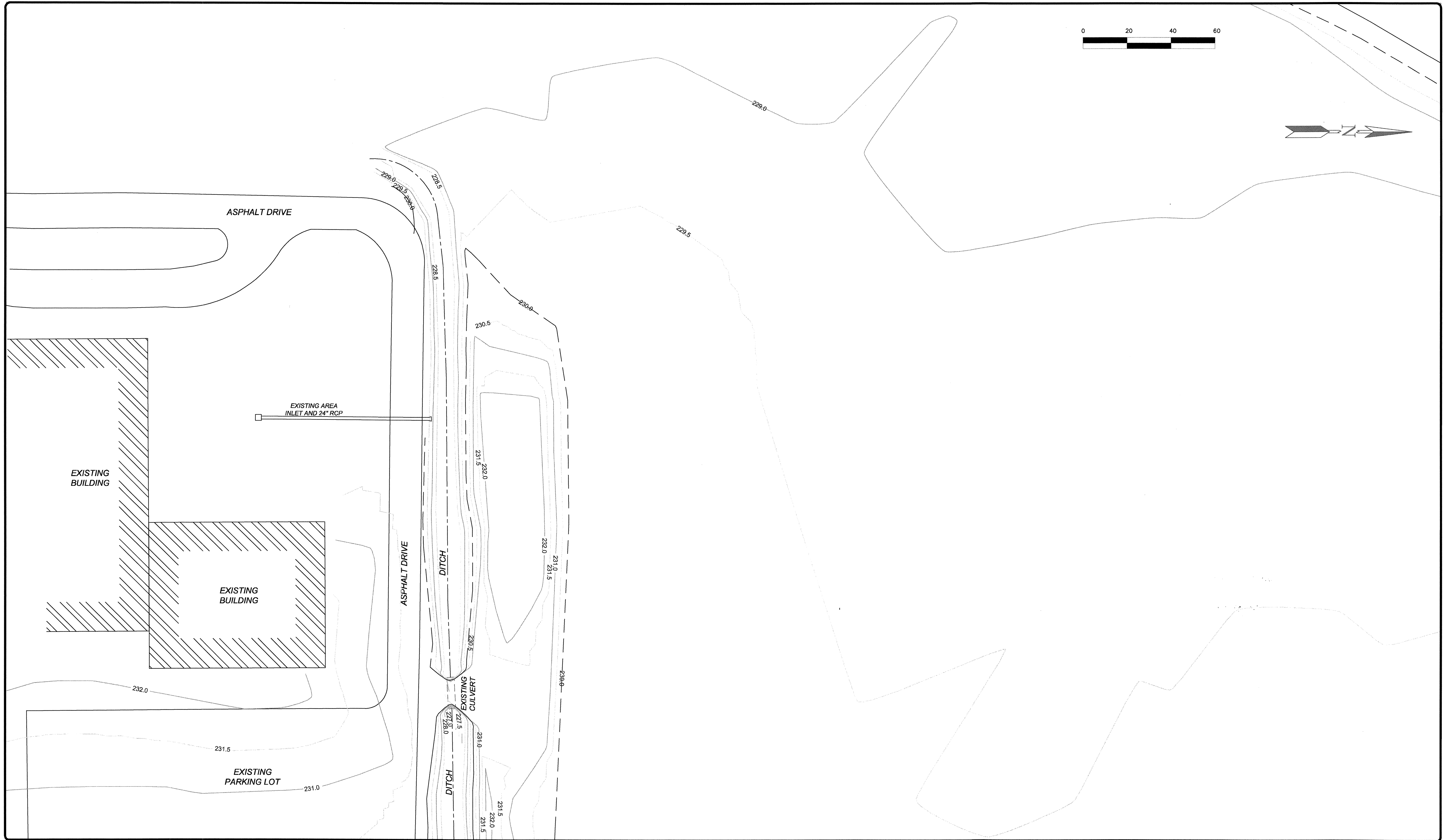


PROJECT ENGINEER
 BOBBY ALDRIDGE, P.E.
 FRONTIER ENGINEERING
 P.O. BOX 11988
 FORT SMITH, AR 72917
 PH: 479.414.1013



SHEET INDEX

- 1 COVER SHEET
- 2 EXISTING SITE TOPOGRAPHY
- 3 SITE LAYOUT
- 4 CROSS SECTIONS (STA -1+31 to 1+00)
- 5 CROSS SECTIONS (STA 1+50 to 3+00)
- 6 CROSS SECTIONS (STA 3+50 to 4+94)
- 7 ATHLETIC FIELD DRAINAGE PLAN
- 8 STADIUM ENTRANCE
- 9 DETAILS
- 10 ELECTRICAL SITE PLAN
- 11 ELECTRICAL DETAIL
- 12 BLEACHERS - SIDE VIEW HOME
- 13 BLEACHERS - SIDE VIEW @ PRESSBOX
- 14 BLEACHERS - SEATING & CONCRETE LAYOUT - HOME
- 15 BLEACHERS - SITE VIEW VISITOR
- 16 BLEACHERS - SEATING & CONCRETE LAYOUT - VIS.
- 17 BLEACHERS - PRESSBOX



Revision	By	Date

FRONTIER
ENGINEERING, INC.
 CIVIL ENGINEERS • CONSULTANTS
 P.O. Box 11988 • FORT SMITH, AR 72917



Drawn By:
CLD
 Approved By:
JRA
 Date:
3.08.17
 Project No.:
1401-001

Vertical Scale:
—
 Horizontal Scale:
1"=30'
 Plotting Scale:
1
 Drawing Name:
RIVERCREST ST.

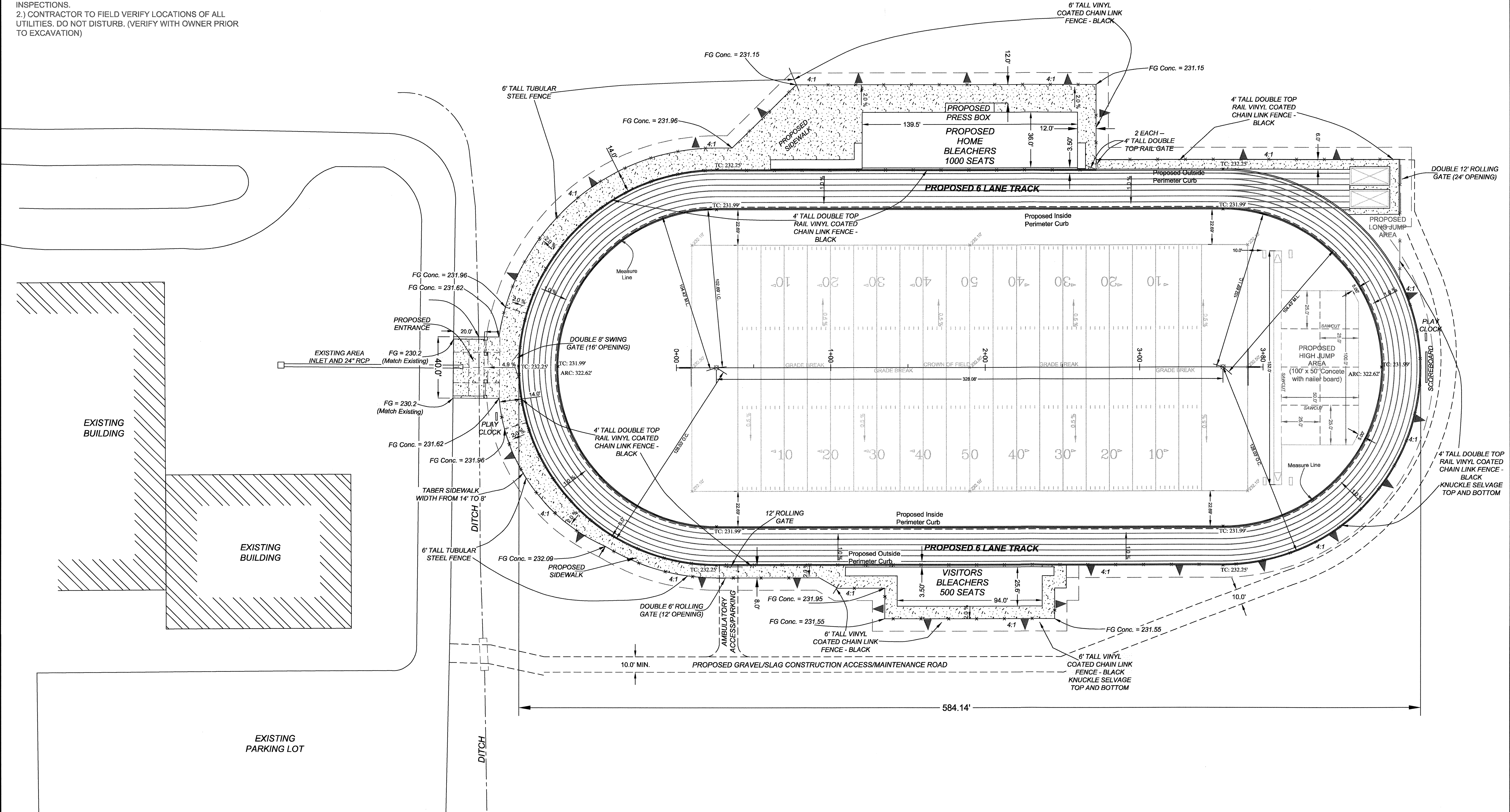
RIVERCREST PROPOSED STADIUM
 Mississippi County, Arkansas

EXISTING SITE TOPOGRAPHY
 Issued for Bidding

Sheet No.:
2
 of
17

The Original Signed and Sealed Document is on file at the Office of Record

NOTE:
 1.) CONTRACTOR IS RESPONSIBLE FOR ALL STORMWATER AND ANY OTHER APPLICABLE PERMITS. STORMWATER POLLUTION PREVENTION PLAN (SWPPP) IS REQUIRED. CONTRACTOR IS RESPONSIBLE FOR PREPARATION OF & COMPLIANCE W/ SWPPP, INCLUDING MAINTENANCE AND INSPECTIONS.
 2.) CONTRACTOR TO FIELD VERIFY LOCATIONS OF ALL UTILITIES. DO NOT DISTURB. (VERIFY WITH OWNER PRIOR TO EXCAVATION)



Revision	By	Date

FRONTIER
ENGINEERING, INC.
 CIVIL ENGINEERS · CONSULTANTS
 P.O. Box 11988 · FORT SMITH, AR 72917

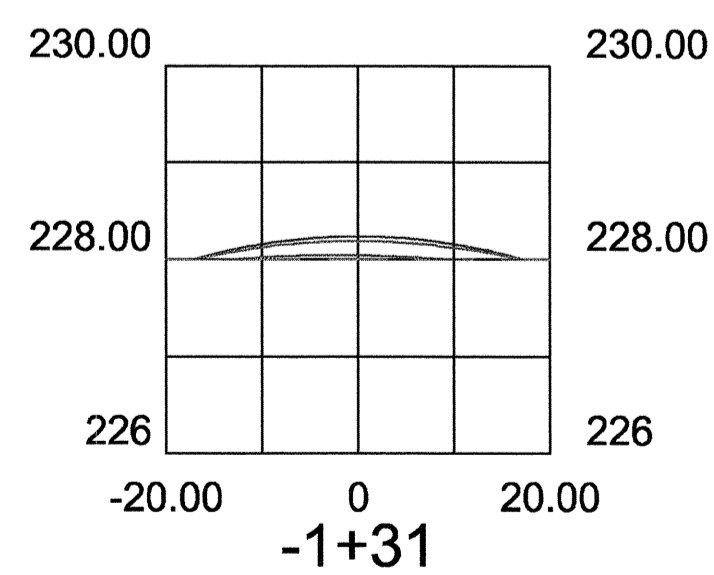
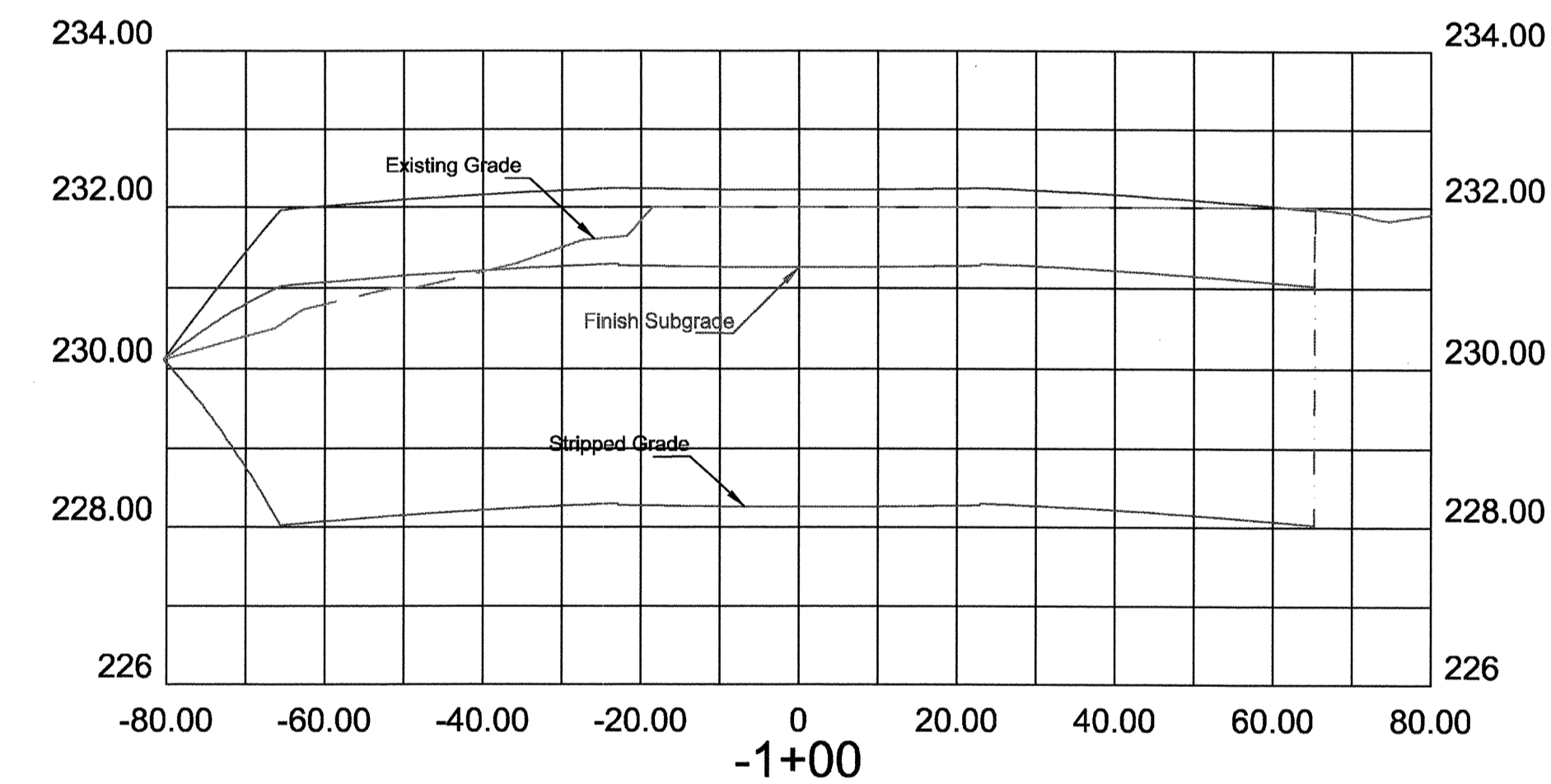
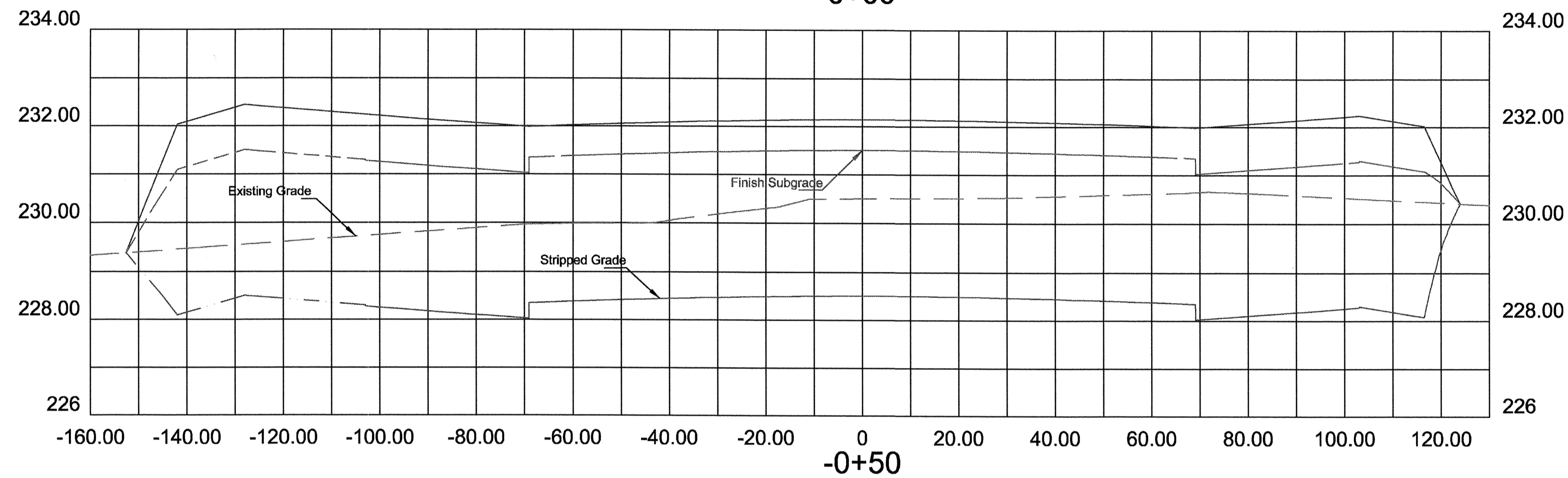
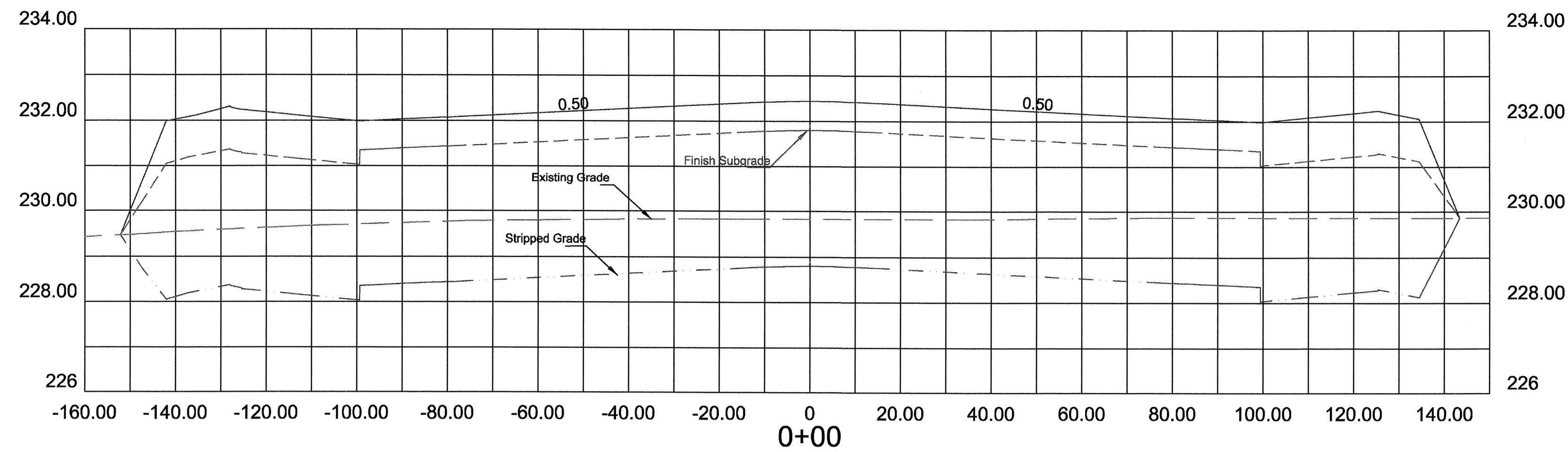


Drawn By: CLD	Vertical Scale: -
Approved By: JRA	Horizontal Scale: 1"=30'
Date: 3.08.17	Plotting Scale: 1
Project No.: 1401-001	Drawing Name: INTERIM.DWG

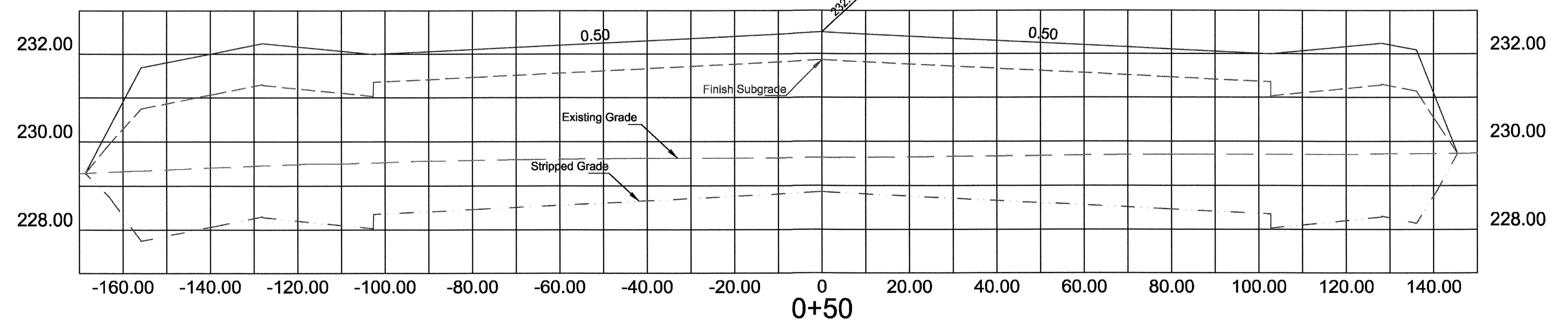
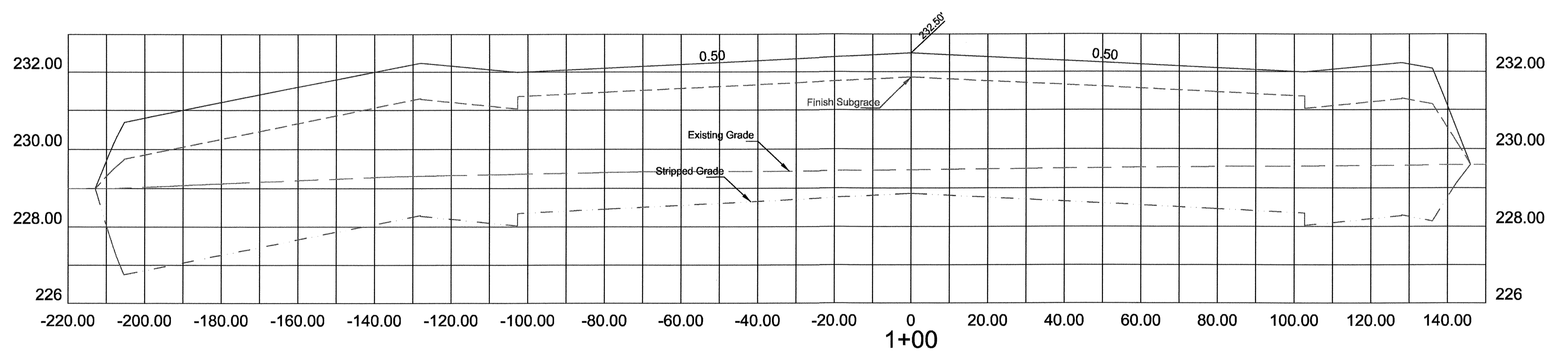
RIVERCREST PROPOSED STADIUM
 Mississippi County, Arkansas

SITE LAYOUT
 Issued for Bidding

Sheet No.:
3
 of 17



Horizontal Scale 20
Vertical Scale 2



EARTHWORK CONTRACTOR TO REMOVE/STRIP ALL VEGETATION AND SOIL TO STRIPPED GRAD (3' MINIMUM BELOW FINISHED SUB-GRADE). PLACE AND FINISH GRADE STRIPPED MATERIAL IN 6" THICKNESS IN WASTE AREA EAST AND NORTHEAST OF THE STADIUM. PROVIDE AND INSTALL IMPERMEABLE LINER AND PLACE AND COMPACT SELECT BACKFILL TO FINISHED SUB-GRADE ELEVATIONS. PROVIDE AND INSTALL NON-WOVEN GEOTEXTILE AND 6" COMPACTED AGGREGATE BASE AT ALL LOCATIONS TO RECEIVE CONCRETE.

NOTE:
1. EARTHWORK CONTRACTOR IS RESPONSIBLE FOR ALL STORMWATER AND ANY OTHER APPLICABLE PERMITS. STORMWATER POLLUTION PREVENTION PLAN (SWPPP) IS REQUIRED. EARTHWORK CONTRACTOR IS RESPONSIBLE FOR PREPARATION OF & COMPLIANCE W/ SWPPP, INCLUDING MAINTENANCE AND INSPECTIONS. OWNER WILL ASSUME RESPONSIBILITIES OF THE SWPPP UPON COMPLETION OF THE EARTHWORK CONTRACT, AS NECESSARY.

Revision	By	Date

FRONTIER
ENGINEERING, INC.
CIVIL ENGINEERS · CONSULTANTS
P.O. Box 11988 · FORT SMITH, AR 72917

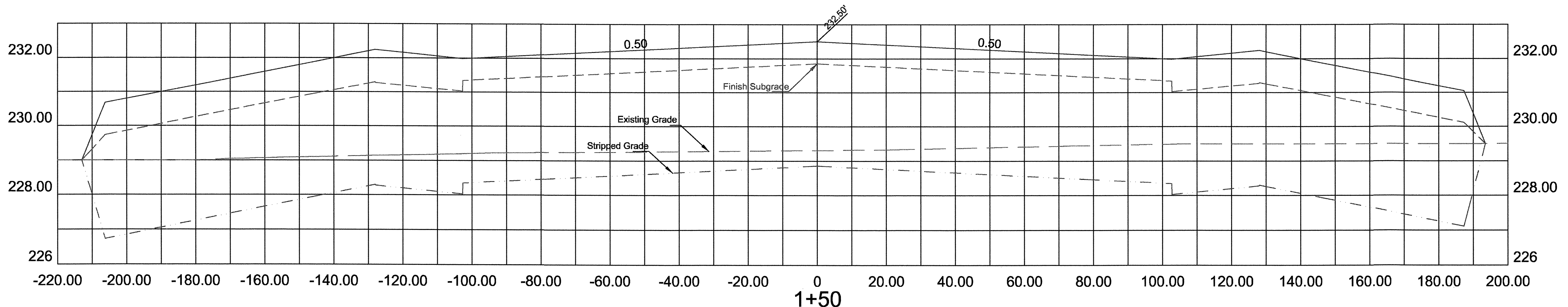
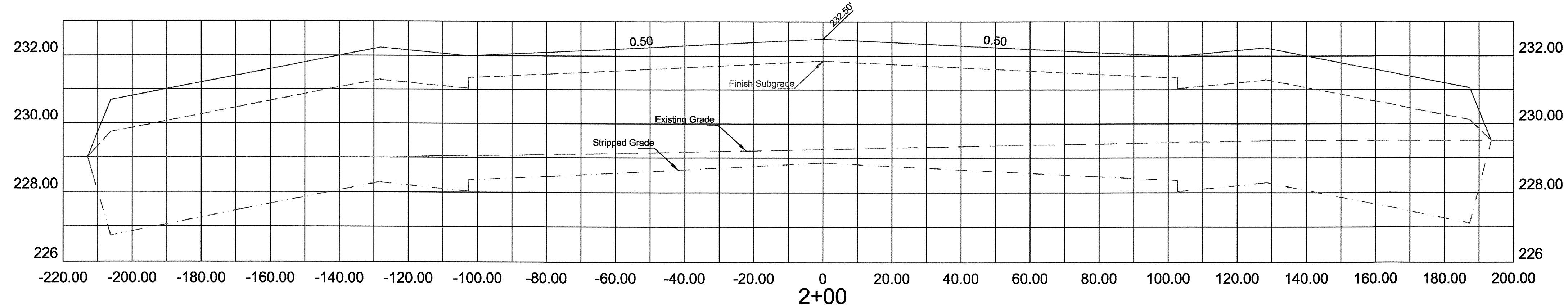
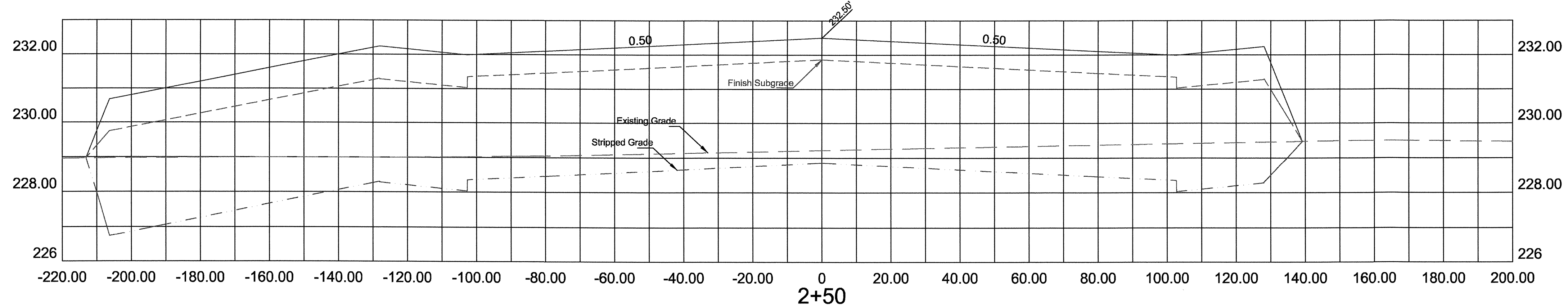
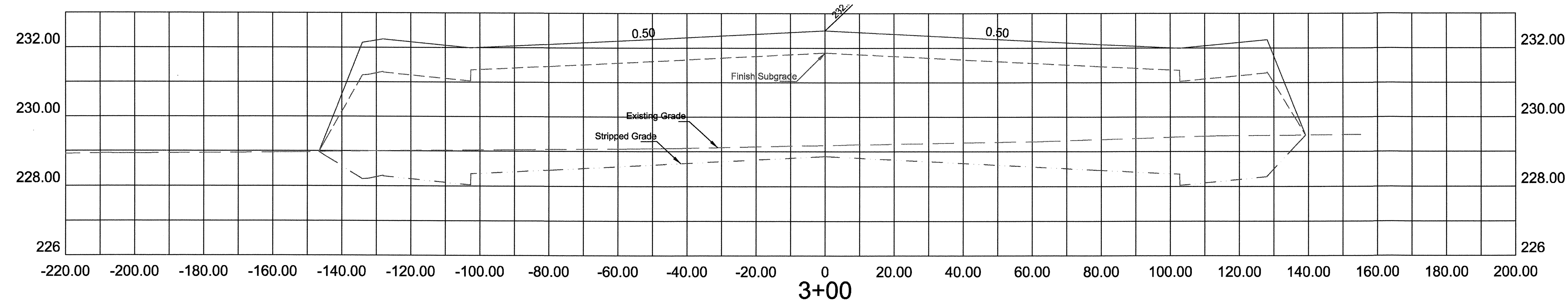


Drawn By: CLD	Vertical Scale: —
Approved By: JRA	Horizontal Scale: 1"=20'
Date: 3.08.17	Plotting Scale: 1
Project No.: 1401-001	Drawing Name: RIVERCREST ST.

RIVERCREST PROPOSED STADIUM
Mississippi County, Arkansas

CROSS-SECTIONS (STA -1+31 to 1+00)
Issued for Bidding

Sheet No.:
4
of
17



EARTHWORK CONTRACTOR TO REMOVE/STRIP ALL VEGETATION AND SOIL TO STRIPPED GRAD (3' MINIMUM BELOW FINISHED SUB-GRADE). PLACE AND FINISH GRADE STRIPPED MATERIAL IN 6" THICKNESS IN WASTE AREA EAST AND NORTHEAST OF THE STADIUM. PROVIDE AND INSTALL IMPERMEABLE LINER AND PLACE AND COMPACT SELECT BACKFILL TO FINISHED SUB-GRADE ELEVATIONS. PROVIDE AND INSTALL NON-WOVEN GEOTEXTILE AND 6" COMPACTED AGGREGATE BASE AT ALL LOCATIONS TO RECEIVE CONCRETE.

NOTE:
1.) EARTHWORK CONTRACTOR IS RESPONSIBLE FOR ALL STORMWATER AND ANY OTHER APPLICABLE PERMITS. STORMWATER POLLUTION PREVENTION PLAN (SWPPP) IS REQUIRED. EARTHWORK CONTRACTOR IS RESPONSIBLE FOR PREPARATION OF & COMPLIANCE W/ SWPPP. INCLUDING MAINTAINENCE AND INSPECTIONS. OWNER WILL ASSUME RESPONSIBILITIES OF THE SWPPP UPON COMPLETION OF THE EARTHWORK CONTRACT, AS NECESSARY.

Revision	By	Date

FRONTIER
ENGINEERING, INC.
CIVIL ENGINEERS · CONSULTANTS
P.O. BOX 11988 · FORT SMITH, AR 72917



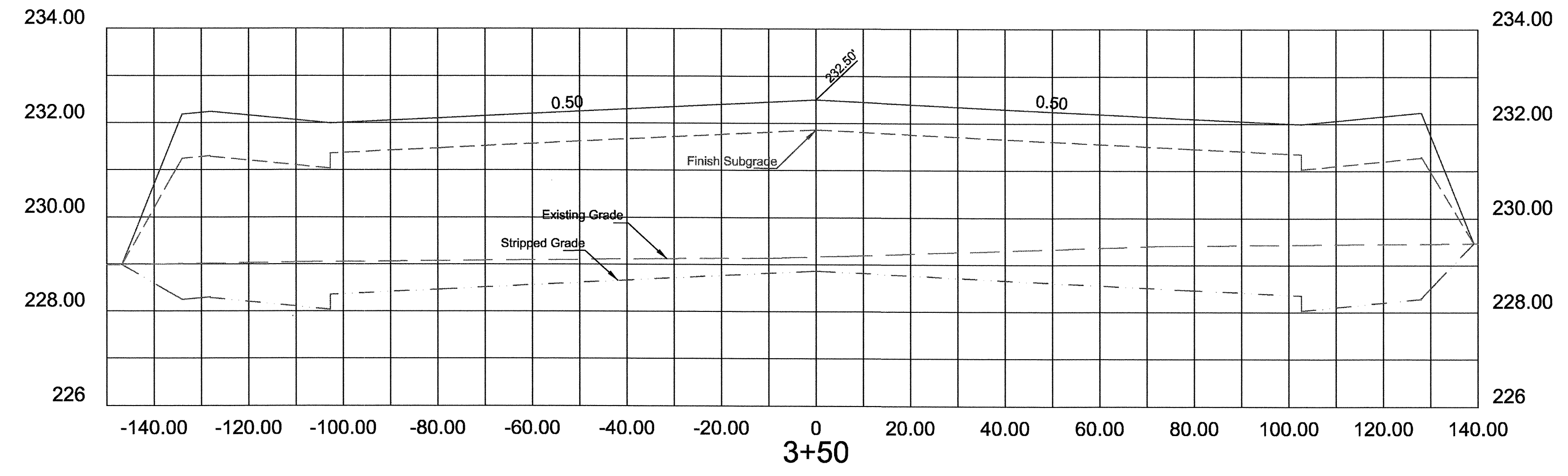
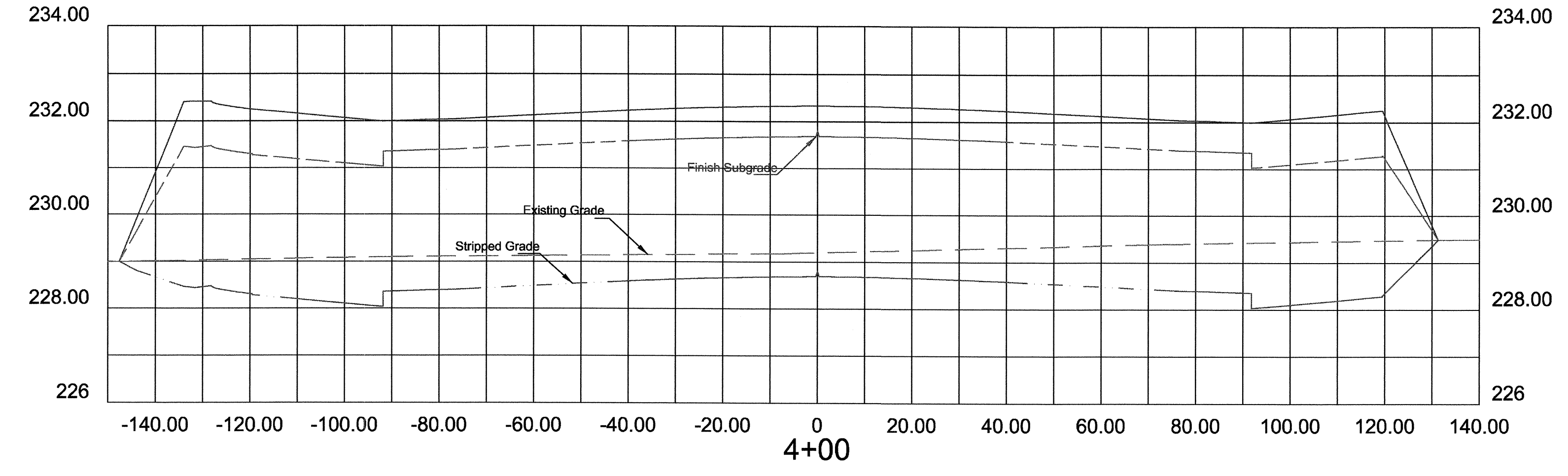
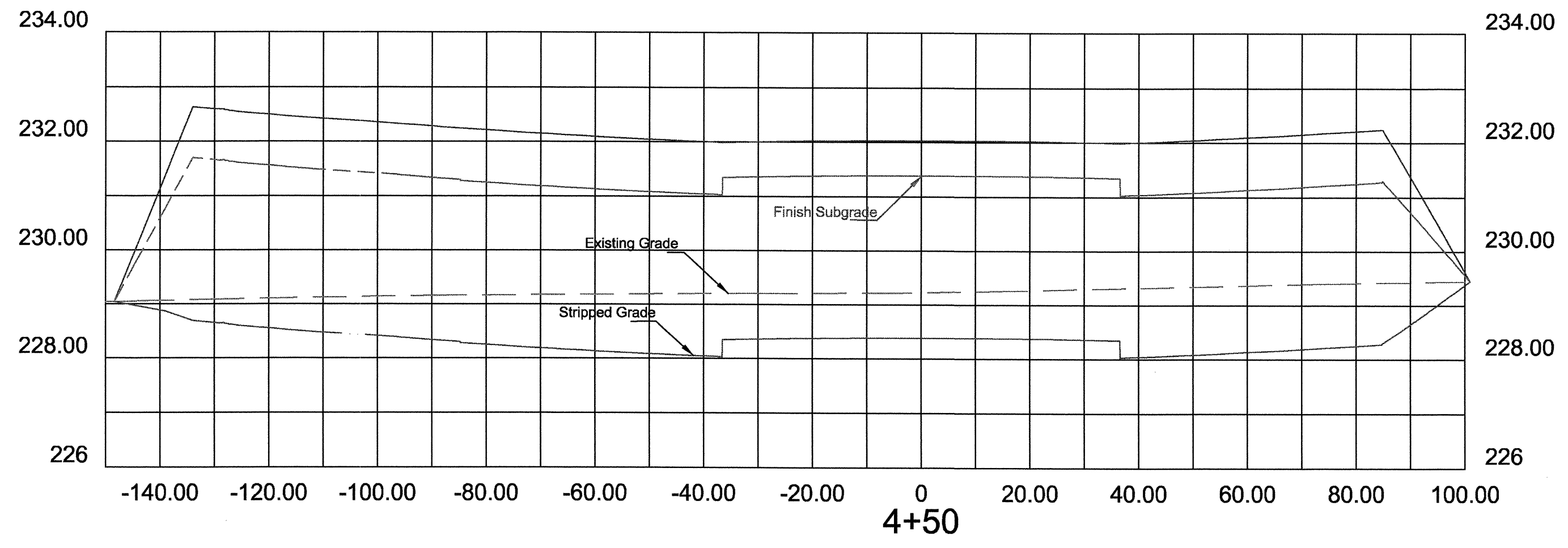
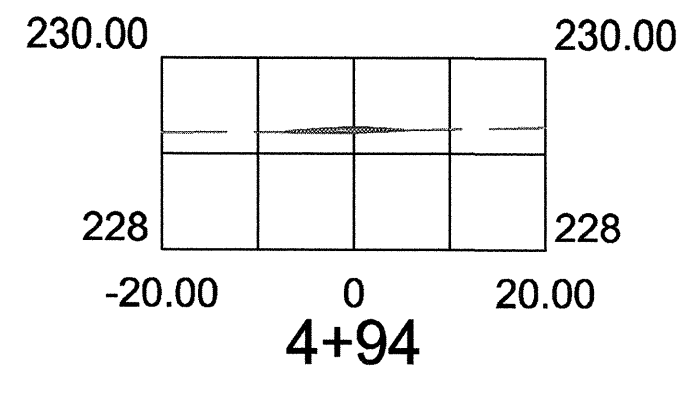
Drawn By:	CLD
Approved By:	JRA
Date:	3.08.17
Project No.:	1401-001
Vertical Scale:	-
Horizontal Scale:	1"=20'
Plotting Scale:	1
Drawing Name:	RIVERCREST ST.

RIVERCREST PROPOSED STADIUM
Mississippi County, Arkansas

CROSS-SECTIONS (STA 1+50 to 3+00)
Issued for Bidding

Sheet No.:
5
of
17

The Original Signed and Sealed Document is on file at the Office of Record



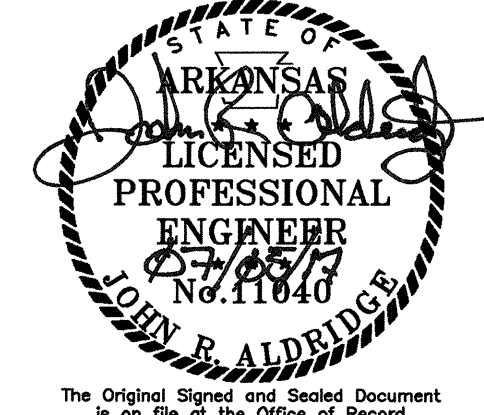
Station	Cut(sf)	Cut(cy)	Cumulative Cut(cy)	Fill (sf)	Fill (cy)	Cumulative Fill (cy)
-1+31	0	0	0	4.19	0	0
-1+00	545.39	313.1	313.1	554.57	320.8	320.8
-0+50	498.74	966.8	1279.9	801.52	1255.6	1576.4
0+00	380.3	813.9	2093.8	858.19	1536.8	3132.2
0+50	353.7	679.6	2773.4	908.51	1635.8	4749.0
1+00	398.95	696.6	3470.3	1050.8	1814.2	6563.2
1+50	450.69	786.7	4257.0	1200.0	2084.1	8647.3
2+00	425.6	811.4	5068.4	1200.1	2222.3	10869.6
2+50	307.82	679.1	5747.5	1029.9	2064.7	12934.3
3+00	190.17	461.1	6208.6	821.87	1714.6	14648.9
3+50	195.99	357.6	6566.2	822.07	1522.2	16171.0
4+00	208.85	374.9	6941.0	799.01	1501.0	17672.0
4+50	215.08	392.5	7333.5	702.33	1390.1	19062.2
4+94	0.1	175.3	7508.9	0.32	572.5	19634.7

EARTHWORK CONTRACTOR TO REMOVE/STRIP ALL VEGETATION AND SOIL TO STRIPPED GRAD (3' MINIMUM BELOW FINISHED SUB-GRADE), PLACE AND FINISH GRADE STRIPPED MATERIAL IN 6" THICKNESS IN WASTE AREA EAST AND NORTHEAST OF THE STADIUM. PROVIDE AND INSTALL IMPERMEABLE LINER AND PLACE AND COMPACT SELECT BACKFILL TO FINISHED SUB-GRADE ELEVATIONS. PROVIDE AND INSTALL NON-WOVEN GEOTEXTILE AND 6" COMPACTED AGGREGATE BASE AT ALL LOCATIONS TO RECEIVE CONCRETE.

NOTE:
1.) EARTHWORK CONTRACTOR IS RESPONSIBLE FOR ALL STORMWATER AND ANY OTHER APPLICABLE PERMITS. STORMWATER POLLUTION PREVENTION PLAN (SWPPP) IS REQUIRED. EARTHWORK CONTRACTOR IS RESPONSIBLE FOR PREPARATION OF & COMPLIANCE W/ SWPPP, INCLUDING MAINTENANCE AND INSPECTIONS. OWNER WILL ASSUME RESPONSIBILITIES OF THE SWPPP UPON COMPLETION OF THE EARTHWORK CONTRACT, AS NECESSARY.

Revision	By	Date

FRONTIER
ENGINEERING, INC.
CIVIL ENGINEERS • CONSULTANTS
P.O. Box 11988 • FORT SMITH, AR 72917



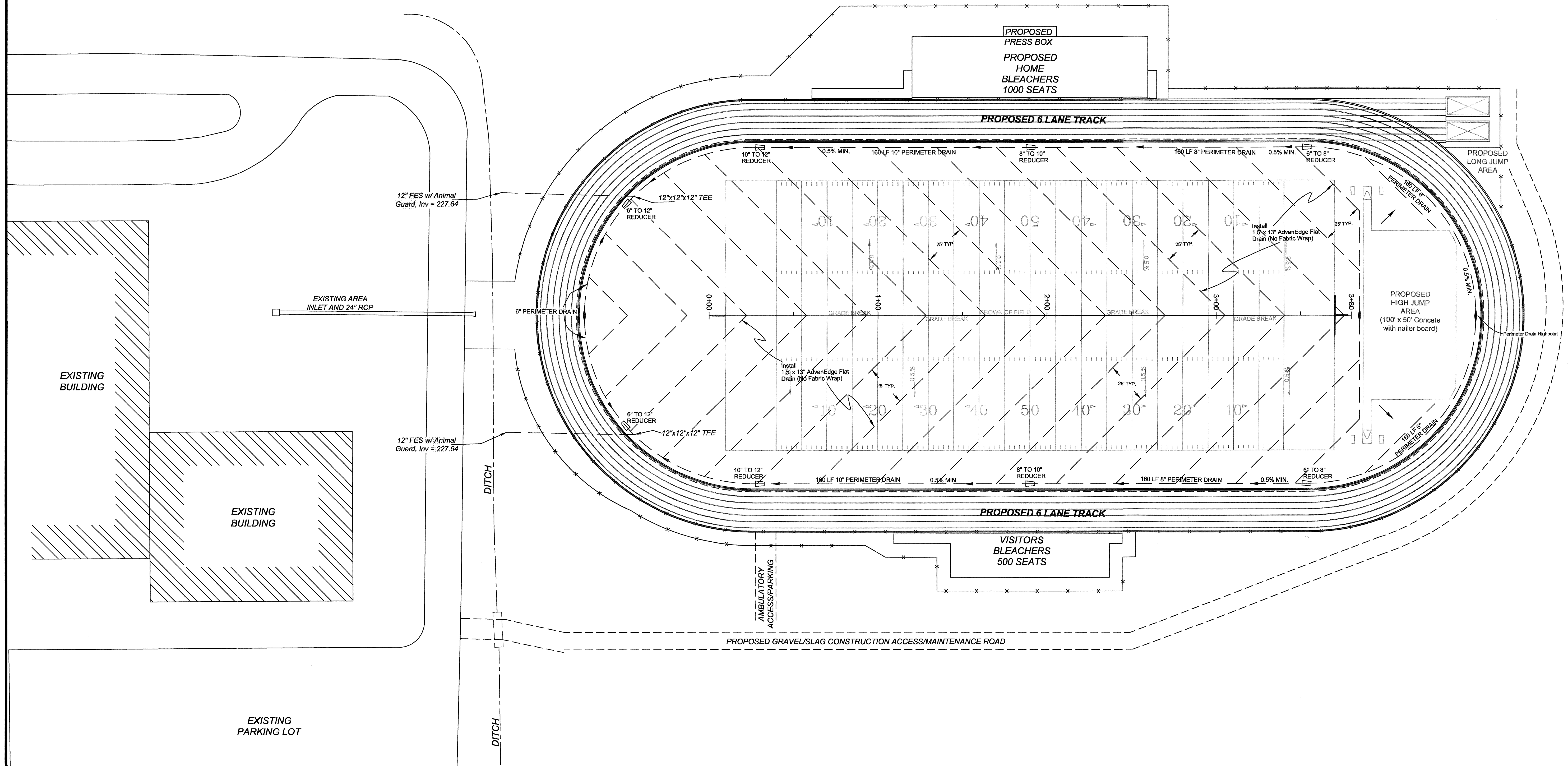
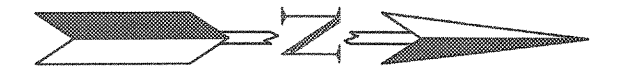
Drawn By:	CLD
Approved By:	JRA
Date:	3.08.17
Project No.:	1401-001
Vertical Scale:	1"=20'
Horizontal Scale:	1"=20'
Plotting Scale:	1
Drawing Name:	RIVERCREST ST.

RIVERCREST PROPOSED STADIUM
Mississippi County, Arkansas

CROSS-SECTIONS (STA 3+50 to 4+94)
Issued for Bidding

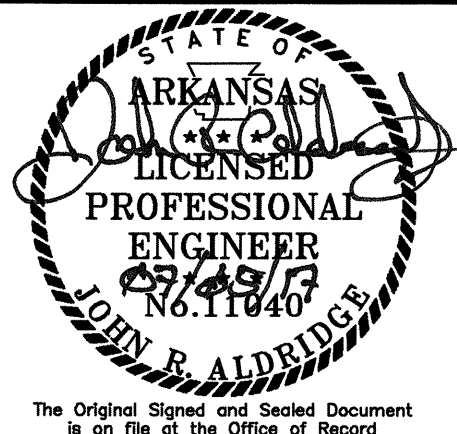
Sheet No.:
6
of
17

NOTE:
 1.) CONTRACTOR IS RESPONSIBLE FOR ALL STORMWATER AND ANY OTHER APPLICABLE PERMITS. STORMWATER POLLUTION PREVENTION PLAN (SWPPP) IS REQUIRED. CONTRACTOR IS RESPONSIBLE FOR PREPARATION OF & COMPLIANCE W/ SWPPP. INCLUDING MAINTENANCE AND INSPECTIONS.
 2.) CONTRACTOR TO FIELD VERIFY LOCATIONS OF ALL UTILITIES. DO NOT DISTURB. (VERIFY WITH OWNER PRIOR TO EXCAVATION)



Revision	By	Date

FRONTIER
ENGINEERING, INC.
 CIVIL ENGINEERS • CONSULTANTS
 P.O. Box 11988 • FORT SMITH, AR 72917

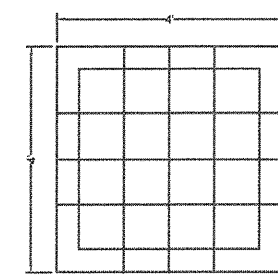


Drawn By: CLD	Vertical Scale: -
Approved By: JRA	Horizontal Scale: 1"=30'
Date: 3.08.17	Plotting Scale: 1
Project No.: 1401-001	Drawing Name: RIVERCREST ST.

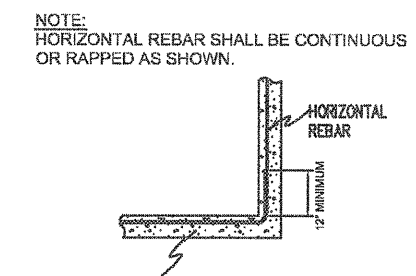
RIVERCREST PROPOSED STADIUM
 Mississippi County, Arkansas

ATHLETIC FIELD DRAINAGE PLAN
 Issued for Bidding

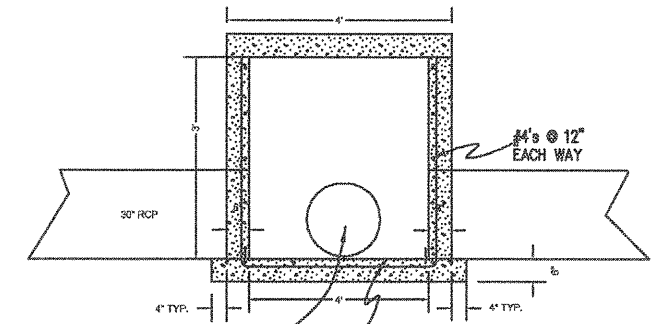
Sheet No.:
7
 of
17



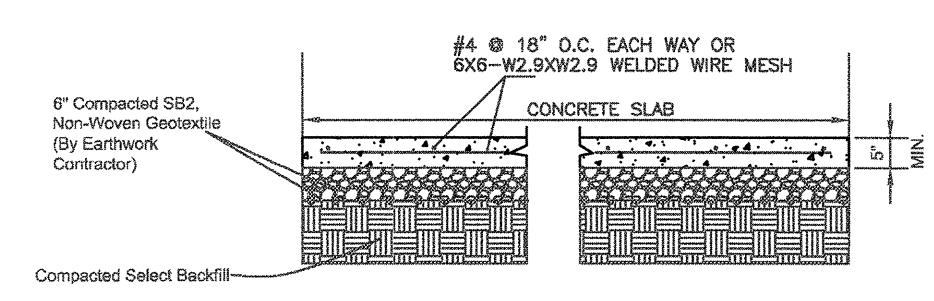
JUNCTION BOX TOP
N.T.S.



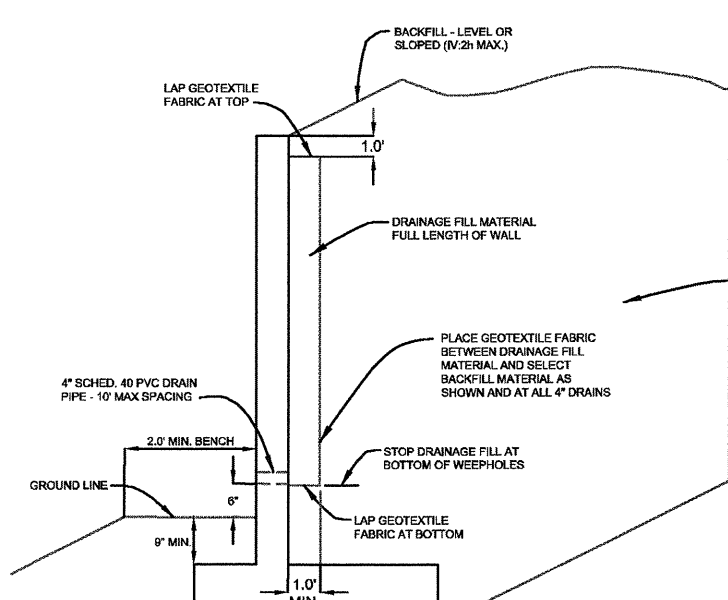
JUNCTION BOX WALL CORNER REINFORCING
N.T.S.



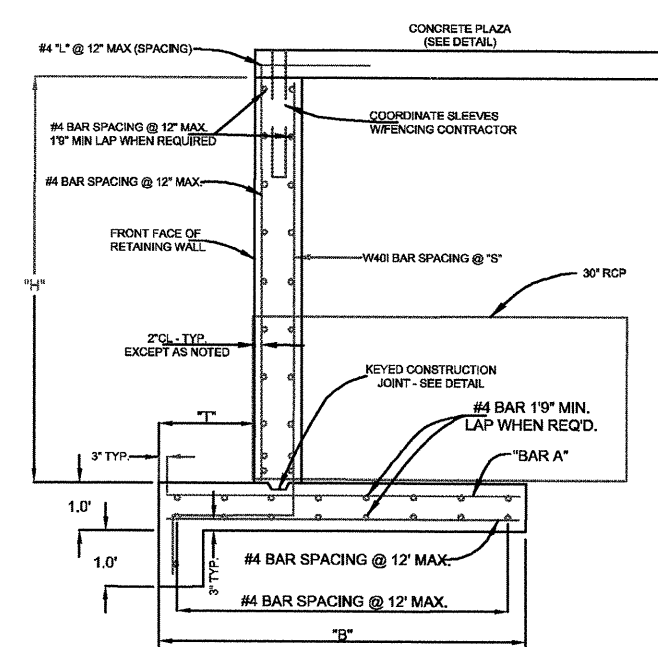
JUNCTION BOX DETAIL
N.T.S.



CONCRETE SLAB DETAIL
N.T.S.



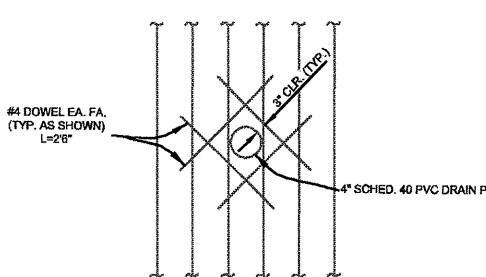
TYPICAL DRAINAGE & BACKFILL DETAILS
N.T.S.



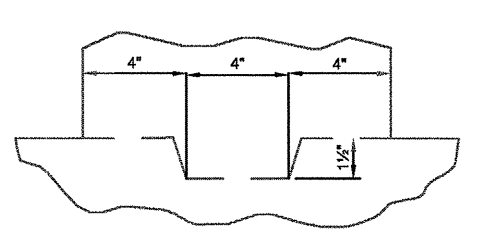
TYPICAL SECTION
N.T.S.

TABLE OF RETAINING WALL VARIABLES
(LEVEL BACKFILL)

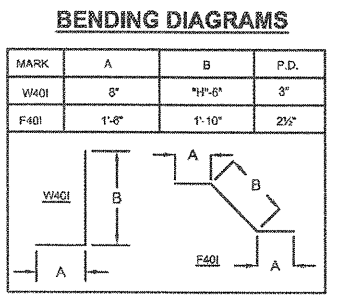
"H"	"T"	"B"	"S"	"BARE A"
3'0"	3'	2'0"	12"	85 @ 12"
4'0"	4'	2'6"	12"	85 @ 12"
5'0"	5'	3'0"	12"	85 @ 12"
6'0"	6'	3'6"	12"	85 @ 12"
7'0"	7'	4'0"	12"	85 @ 12"
8'0"	8'	4'6"	12"	85 @ 12"
9'0"	9'	5'0"	12"	85 @ 12"



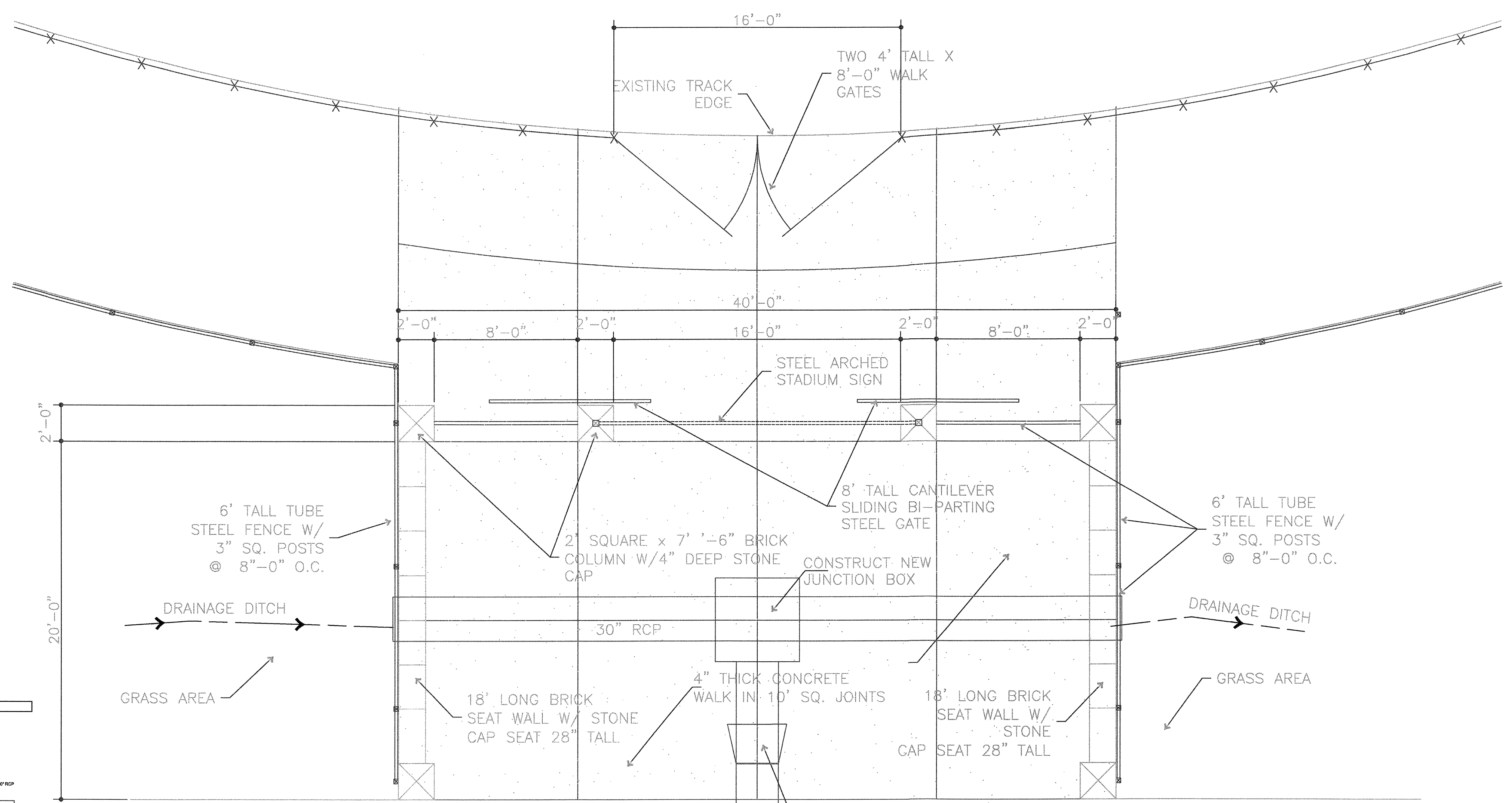
TYPICAL DRAIN PIPE REINFORCING DETAIL
N.T.S.



KEYED CONSTRUCTION JOINT DETAIL
N.T.S.

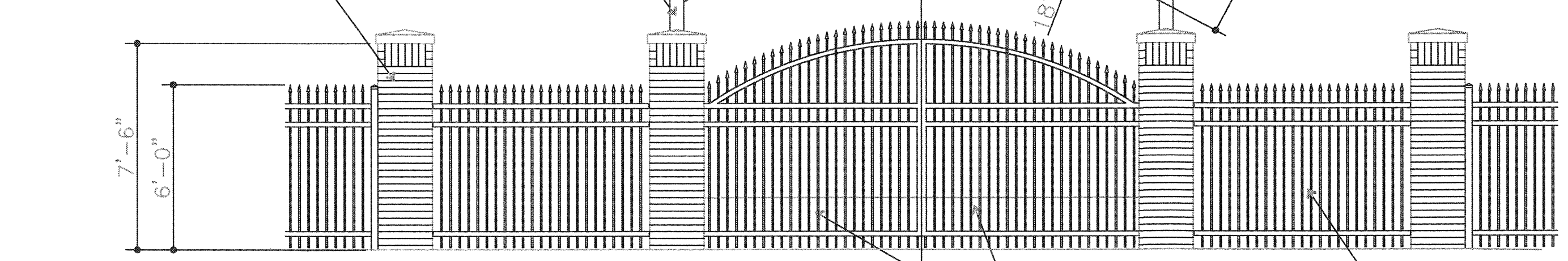


BENDING DIAGRAMS



SITE PLAN
SCALE: 1/4"=1'-0"

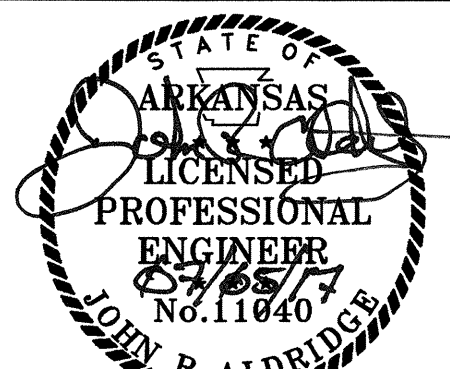
2' SQUARE x 7' -6"
BRICK COLUMN W/
4" DEEP STONE CAP



ELEVATION
SCALE: 1/4"=1'-0"

Revision	By	Date

FRONTIER
ENGINEERING, INC.
CIVIL ENGINEERS • CONSULTANTS
P.O. Box 11988 • FORT SMITH, AR 72917



The Original Signed and Sealed Document
is on file at the Office of Record

Drawn By:
CLD
Approved By:
JRA
Date:
3.08.17
Project No.:
1401-001

Vertical Scale:
-
Horizontal Scale:
1"=20'
Plotting Scale:
1
Drawing Name:
RIVERCREST ST.

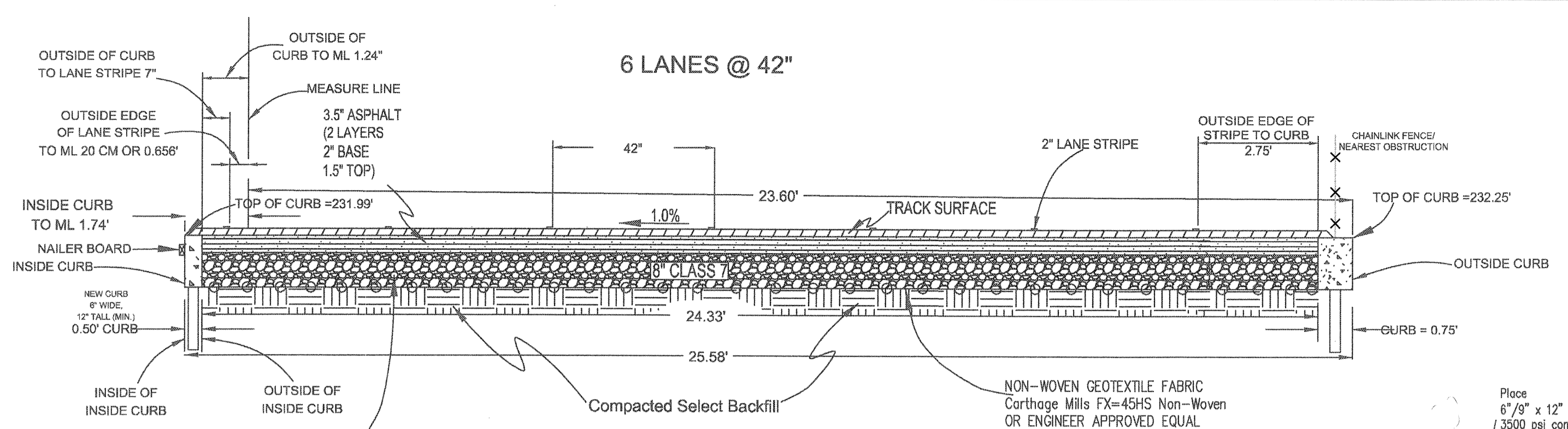
RIVERCREST PROPOSED STADIUM
Mississippi County, Arkansas

STADIUM ENTRANCE
Issued for Bidding

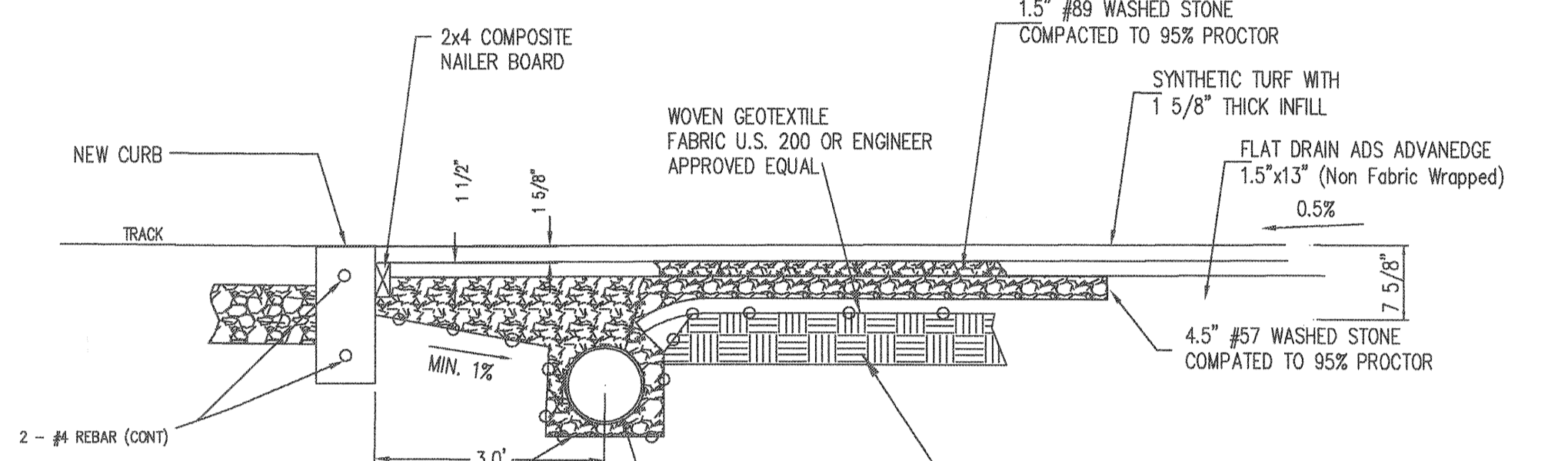
Sheet No.:
8
of
17

BIGGERSTAFF MINDEN & ASSOCIATES P.A.
ARCHITECTS & PLANNERS
305 NORTH GREENWOOD
FORT SMITH, ARKANSAS 72901
(479) 782-5049 FAX 782-5040

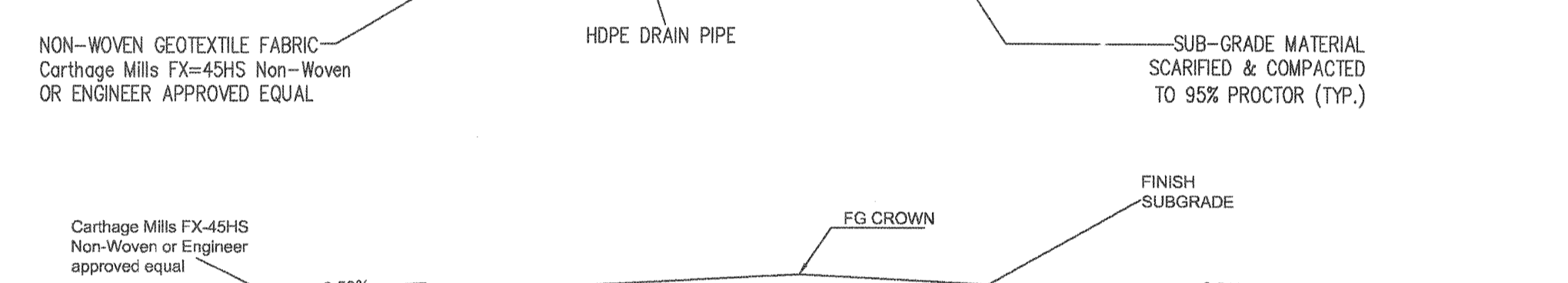
SITE PLAN
BM & A



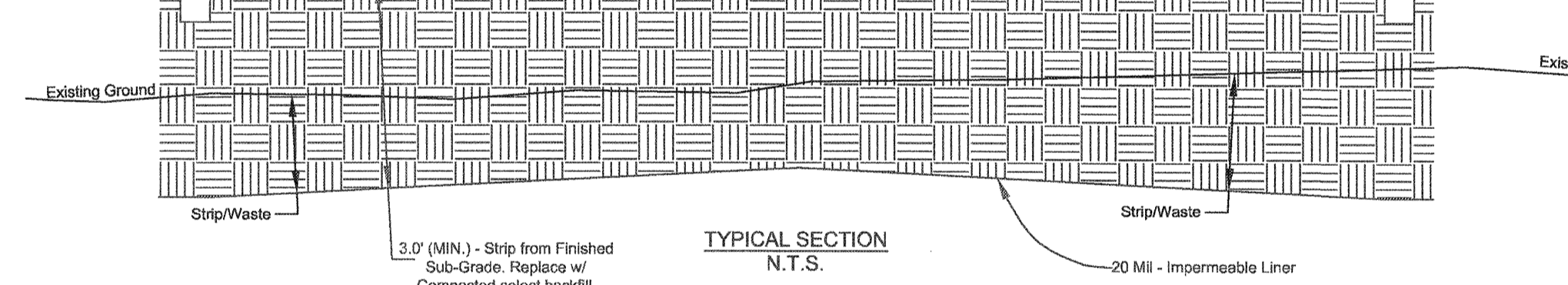
TYPICAL TRACK LAYOUT
N.T.S.



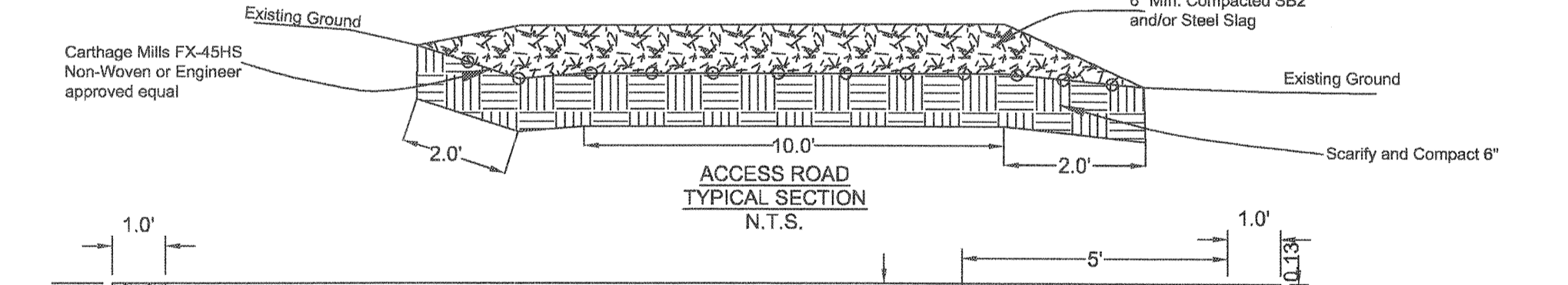
TYPICAL SECTION
N.T.S.



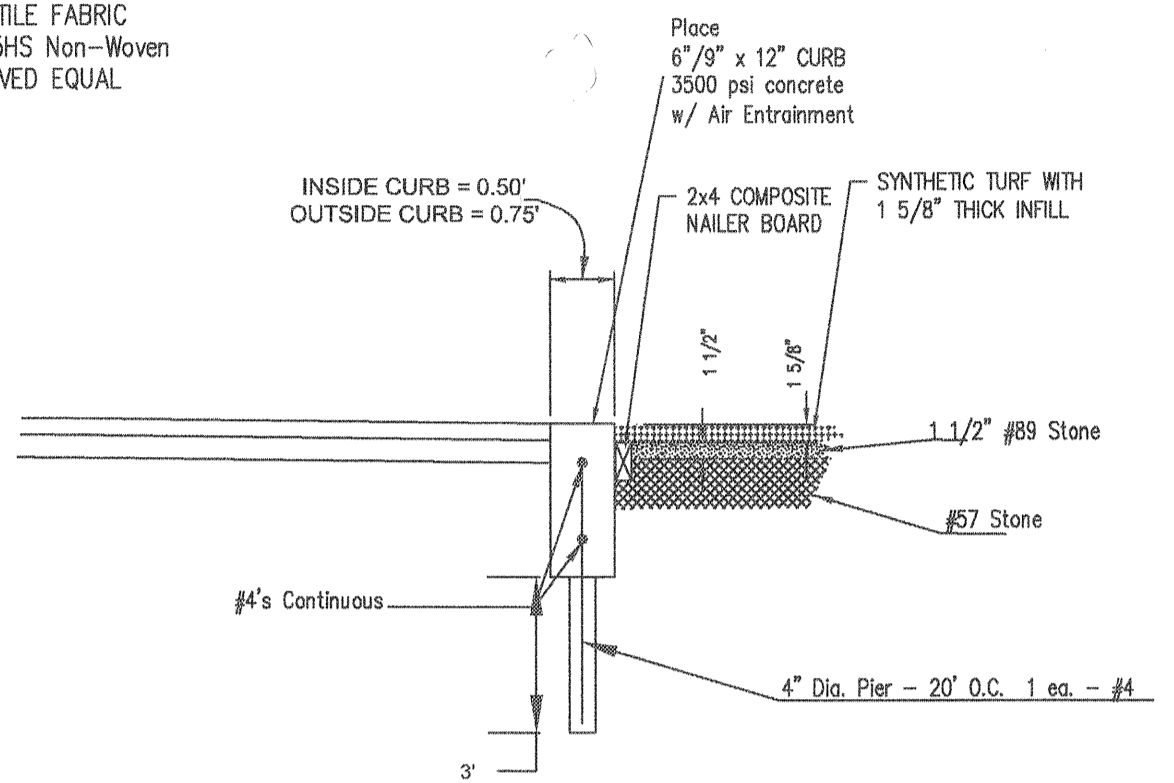
TYPICAL SECTION
N.T.S.



ACCESS ROAD
TYPICAL SECTION
N.T.S.

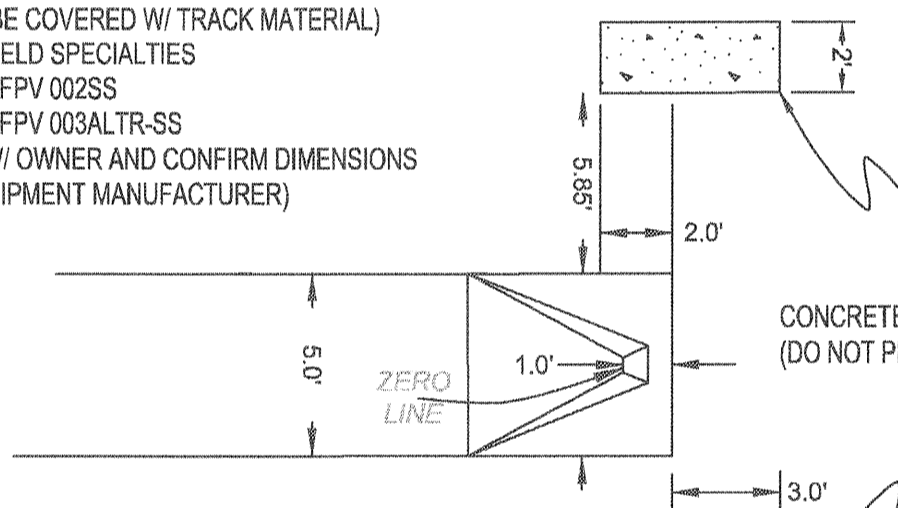


SECTION AT LONG JUMP PIT
N.T.S.

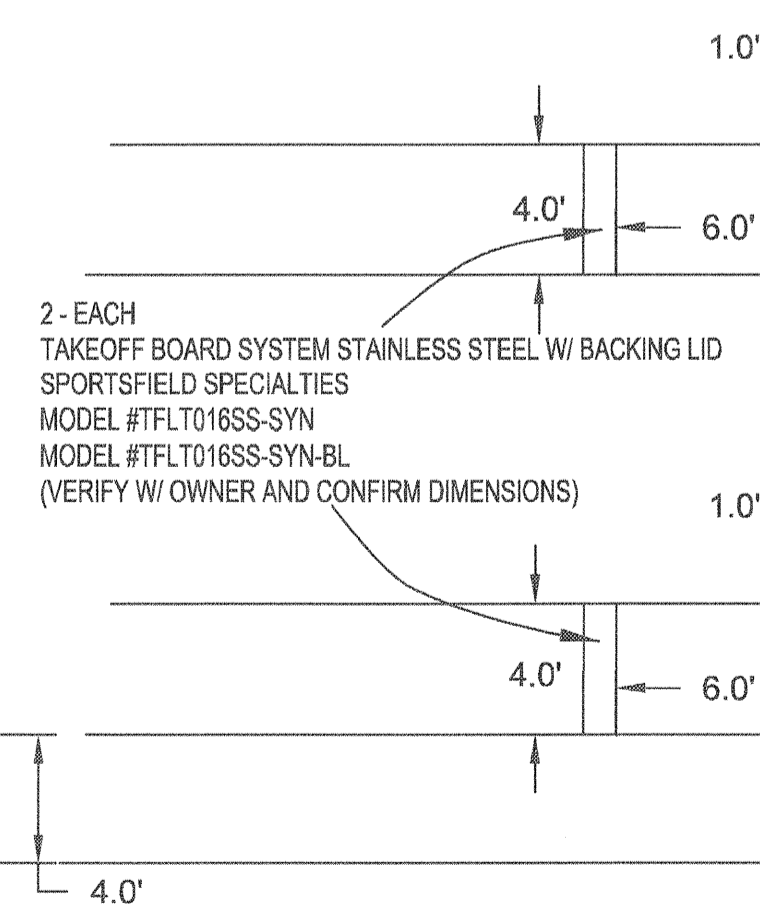


INSIDE & OUTSIDE PERIMETER
CURB DETAILS
N.T.S.

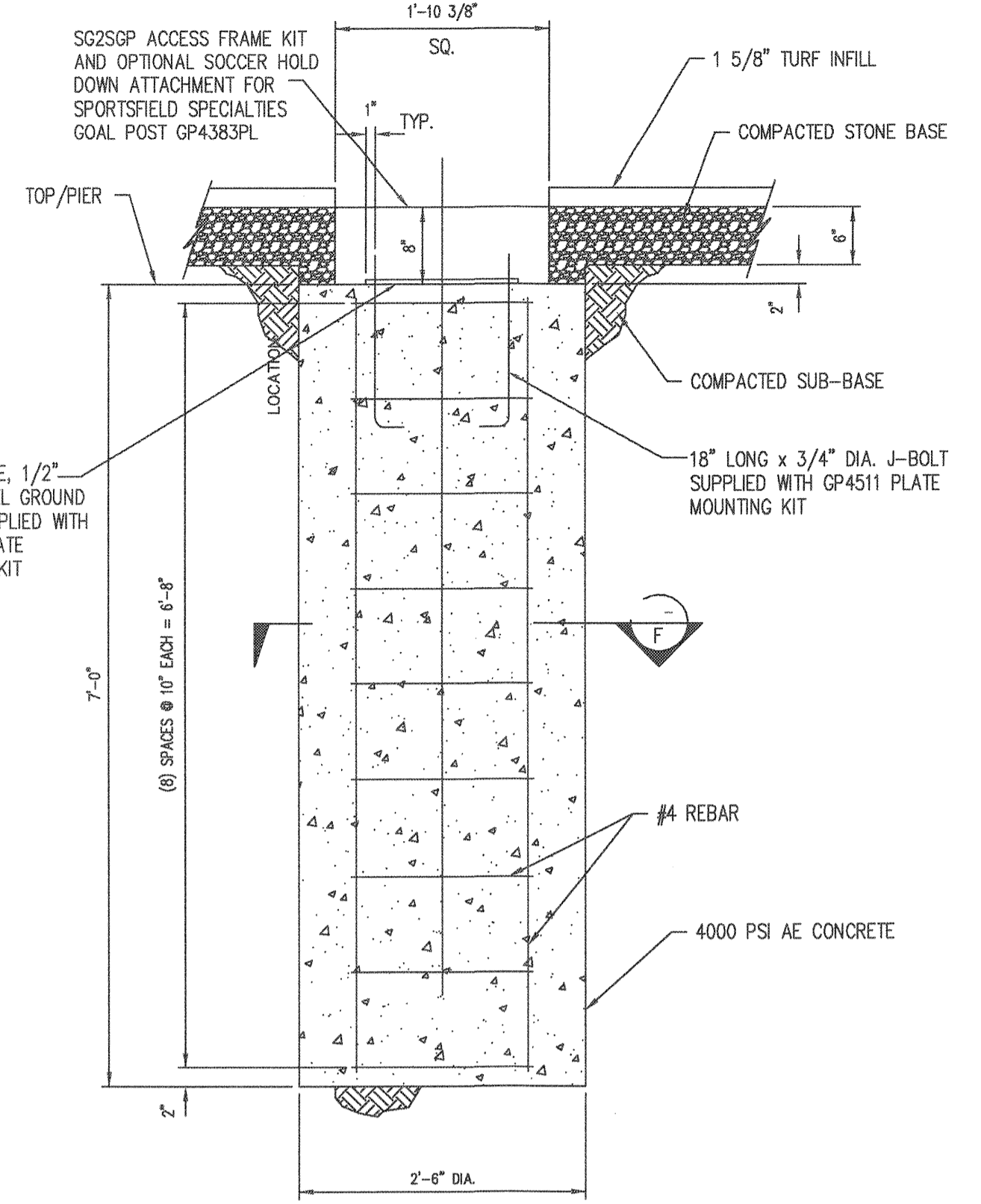
2 - EACH
STAINLESS STEEL VAULT BOX & LID
(LIDS TO BE COVERED W/ TRACK MATERIAL)
SPORTSFIELD SPECIALTIES
MODEL #TFPV002SS
MODEL #TFPV003ALTR-SS
(VERIFY W/ OWNER AND CONFIRM DIMENSIONS
WITH EQUIPMENT MANUFACTURER)



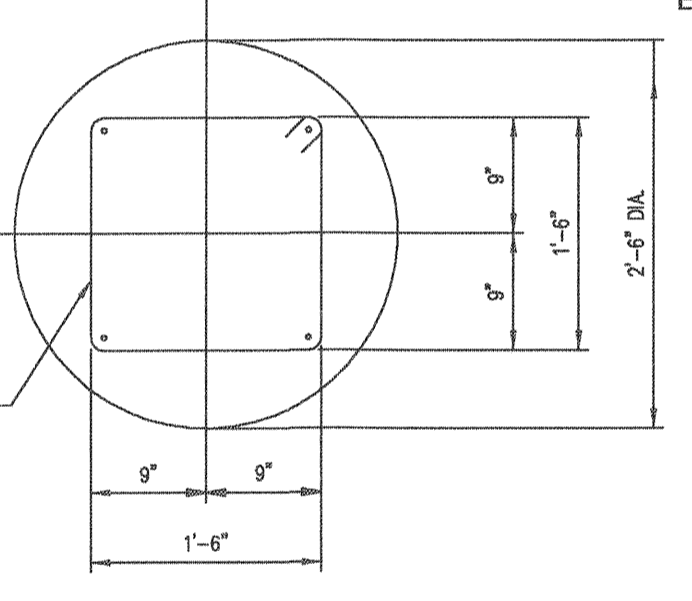
POLE VAULT DETAIL
N.T.S.



JUMP PIT LAYOUT
N.T.S.



GOAL POST FOUNDATION DETAIL
TYP. (2) PLACES



SECTION
3/4\"/>

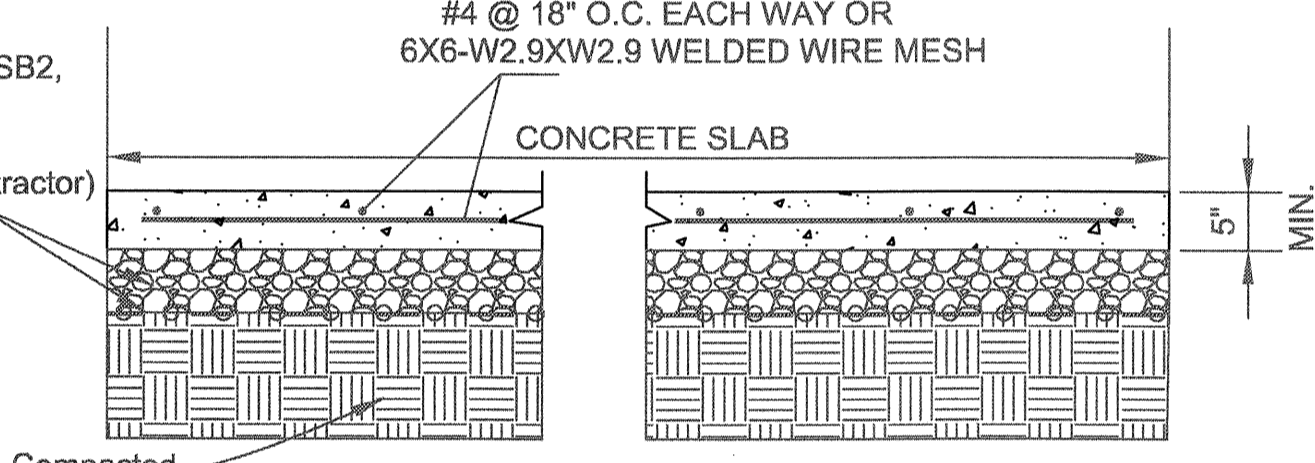
REQUIRED TO MEET THE DEMANDS OF MODERN SPORTS CONSTRUCTION

SPORTSFIELD SPECIALTIES
www.sportsfieldspecialties.com

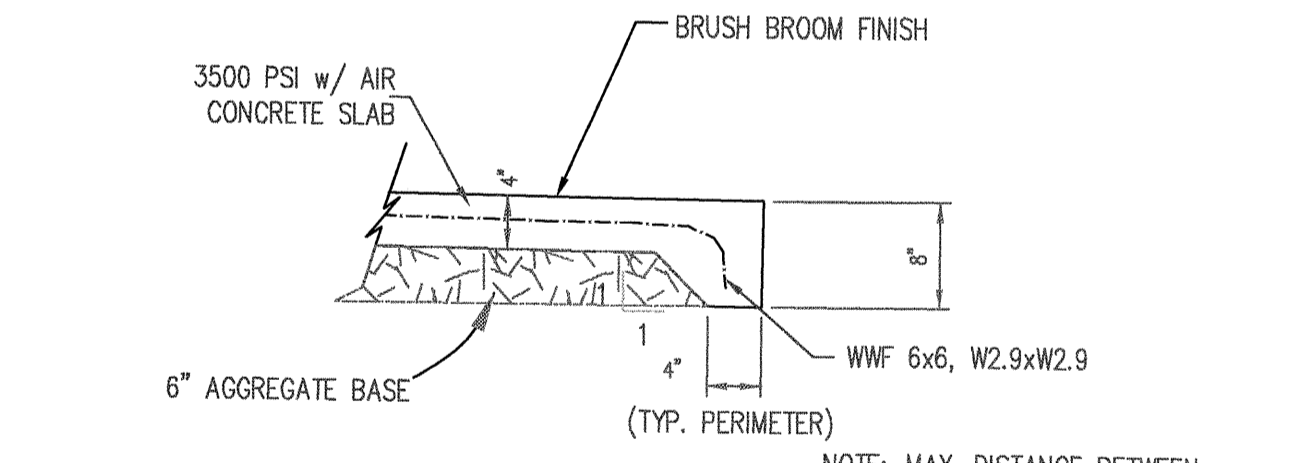
UNITED STATES PATENT # 7,014,576, ISSUED MARCH 21, 2006
UNITED STATES PATENT # 7,883,432, ISSUED FEBRUARY 8, 2011
UNITED STATES PATENT # 7,924,401, ISSUED MARCH 29, 2011

ADJUSTRIGHT®
ADVANCED DESIGN FEATURE THAT ALLOWS FOR A TRUE VERTICAL ALIGNMENT OF THE UPRIGHT WHILE STILL MAINTAINING SQUARENESS AND DISTANCE BETWEEN CROSSBAR/SUPPORT CONNECTION WITH THE USE OF PRECISION FRICION FIT TESTED SURFACES RATHER THAN LOOKING ROLL PINS.

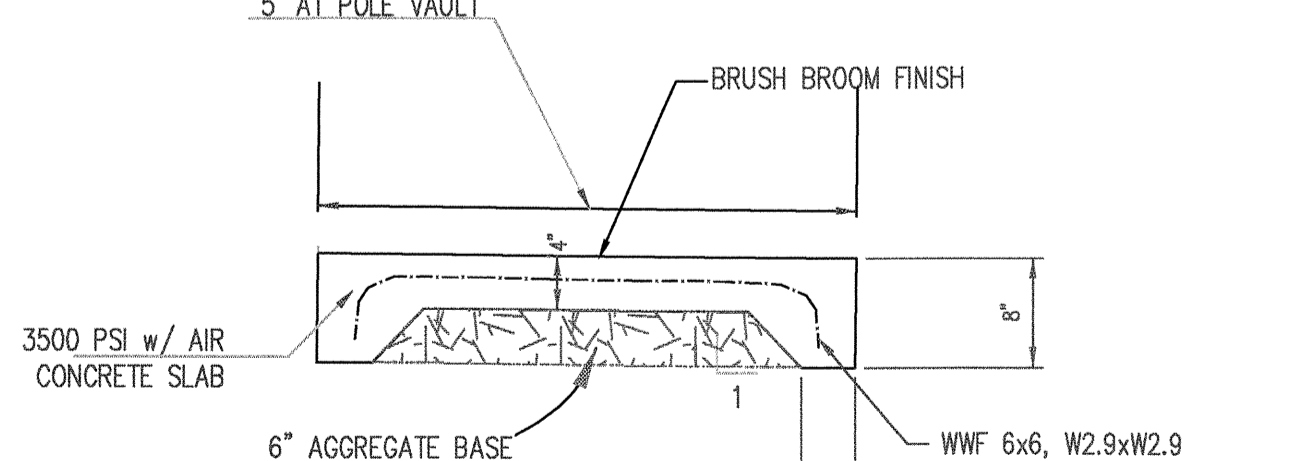
GP4383PL HIGH SCHOOL
8\"/>



CONCRETE SLAB DETAIL
N.T.S.



HIGH JUMP PAD
N.T.S.



POLE VAULT AND LONG
JUMP RUNWAYS
N.T.S.

Revision	By	Date

FRONTIER ENGINEERING, INC.
CIVIL ENGINEERS · CONSULTANTS
P.O. Box 11988 · FORT SMITH, AR 72917



Drawn By: CLD	Vertical Scale: -
Approved By: JRA	Horizontal Scale: 1"=20'
Date: 3.08.17	Plotting Scale: 1
Project No.: 1401-001	Drawing Name: MISCELLANEOUS DETAILS

RIVERCREST PROPOSED STADIUM
Mississippi County, Arkansas

MISCELLANEOUS DETAILS
Issued for Bidding

Sheet No.:
9
of
17

GENERAL NOTES

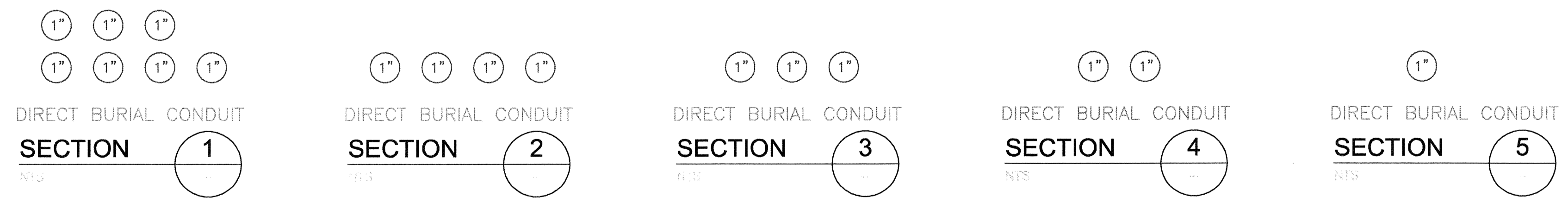
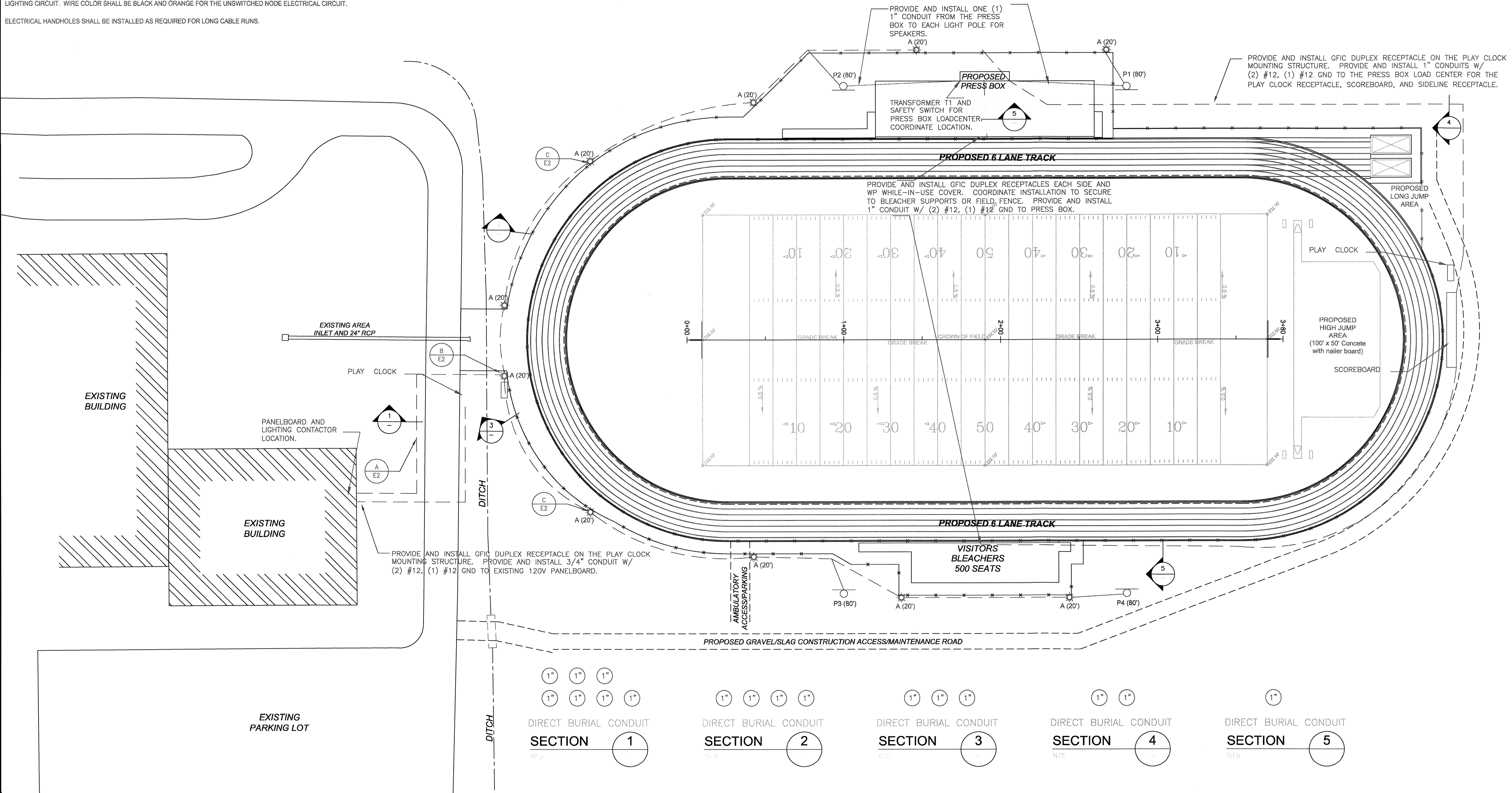
CONDUIT BELOW GRADE SHALL BE PVC SCHEDULE 40.

CONDUIT FOR TRANSITIONS BETWEEN BELOW GRADE AND ABOVE GRADE SHALL BE PVC COATED RIGID STEEL, EXCEPT WHERE CONDUIT STUB-UPS ARE CONCEALED, SUCH AS INTO LIGHT POLE BASES. IN CASES WHERE CONCEALED, THE TRANSITION BETWEEN GRADE SHALL BE PVC SCHEDULE 40.

CONDUIT ABOVE GRADE SHALL BE RIGID ALUMINUM CONDUIT. BOXES SHALL BE CAST ALUMINUM FD STYLE.

WIRE SHALL BE STRANDED, THHN/THHW. WIRE COLOR SHALL BE BROWN AND YELLOW FOR THE SWITCHED POLE LIGHTING CIRCUIT. WIRE COLOR SHALL BE BLACK AND ORANGE FOR THE UNSWITCHED NODE ELECTRICAL CIRCUIT.

ELECTRICAL HANDHOLES SHALL BE INSTALLED AS REQUIRED FOR LONG CABLE RUNS.



Revision	By	Date

McBrayer Engineering
 Van Buren, Arkansas 479.883.7025
 mcbrayerengineering@cox.net



Drawn By: LSM	Vertical Scale: -
Approved By: LSM	Horizontal Scale: 1"=30'
Date: 4.30.17	Plotting Scale: 1
Project No.: 1401-001	Drawing Name: BY:LSM

RIVERCREST PROPOSED STADIUM
 Mississippi County, Arkansas

ATHLETIC FIELD ELECTRICAL PLAN
 Issued for Bidding

Sheet No.:
10
 of
17