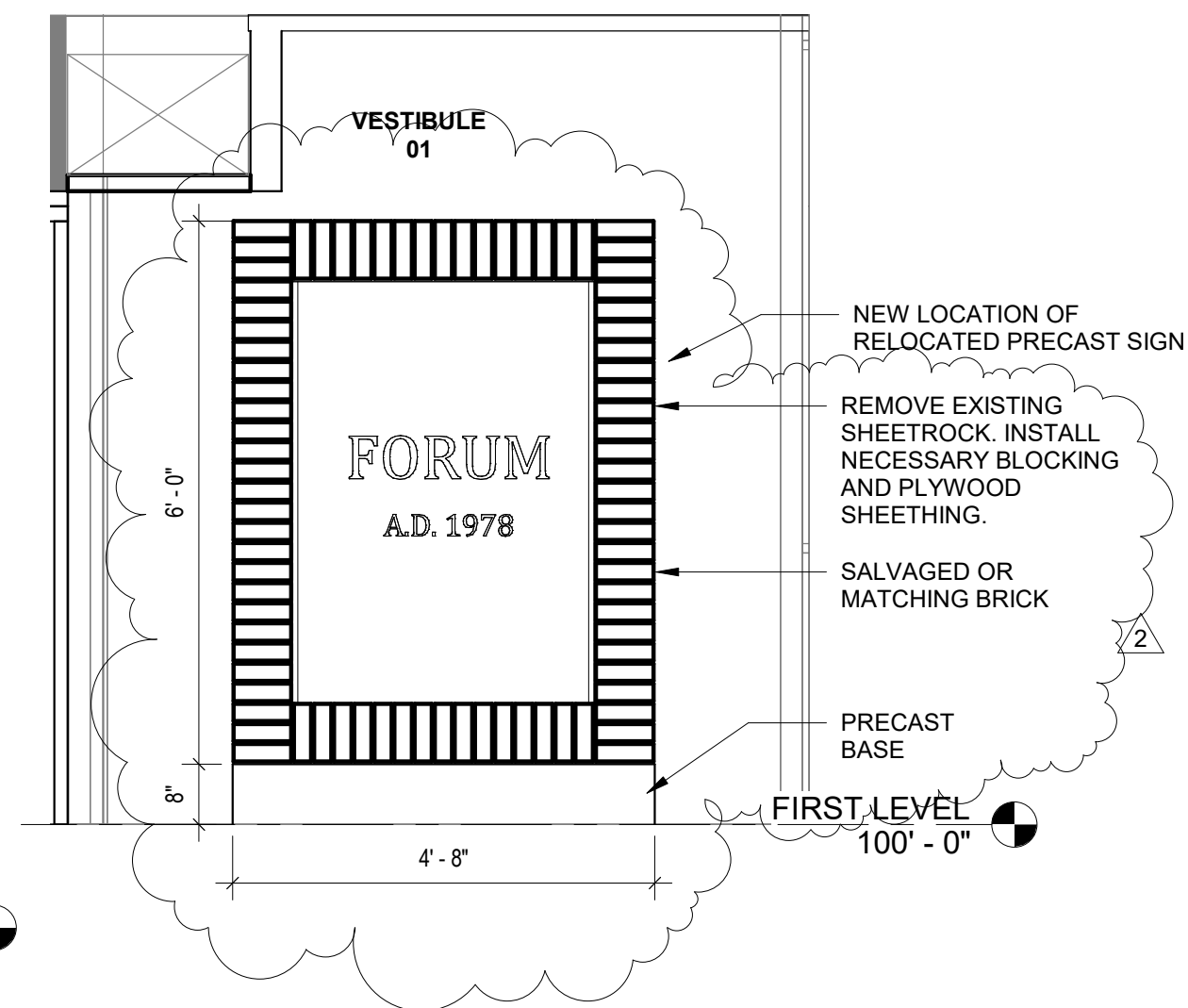
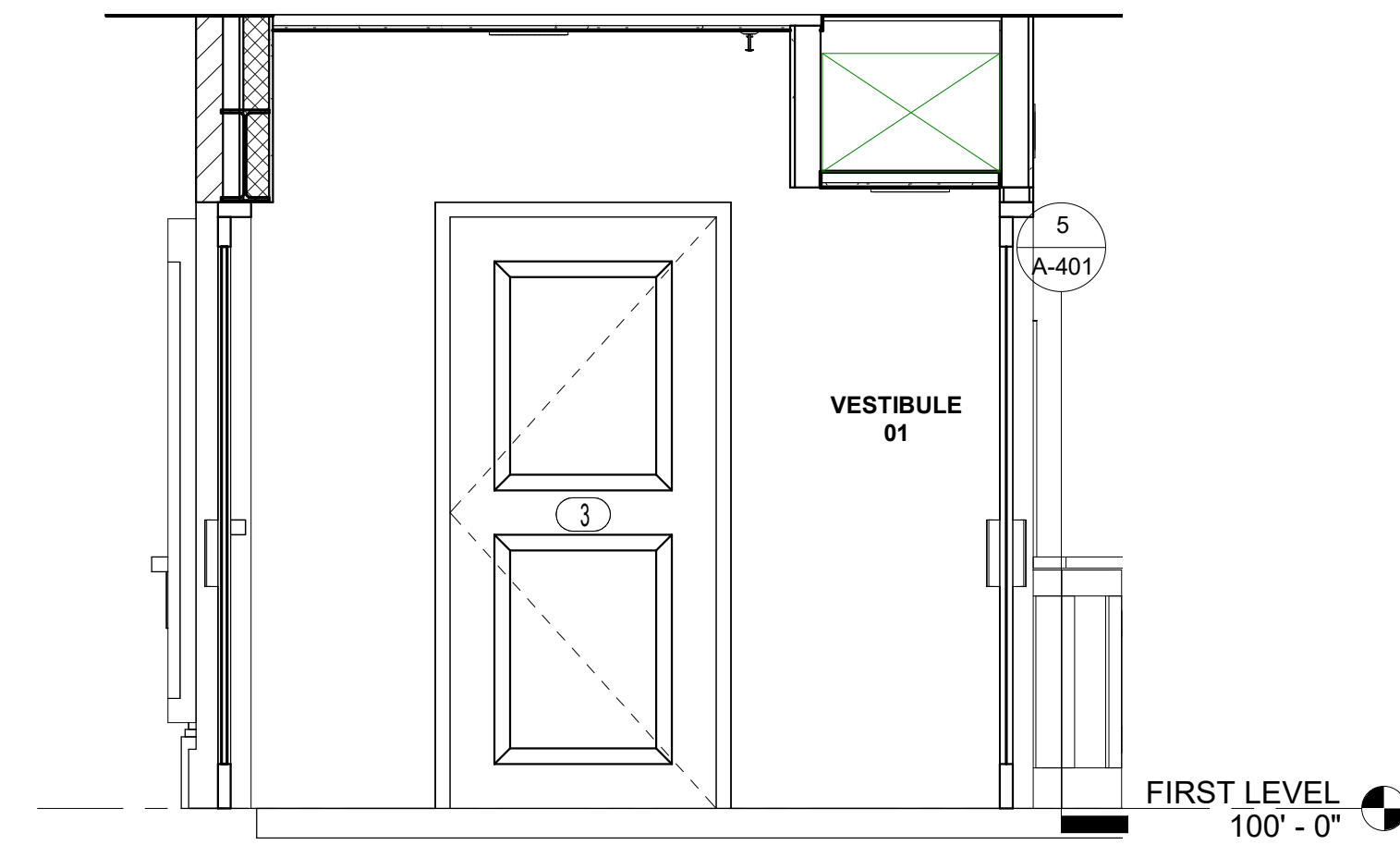


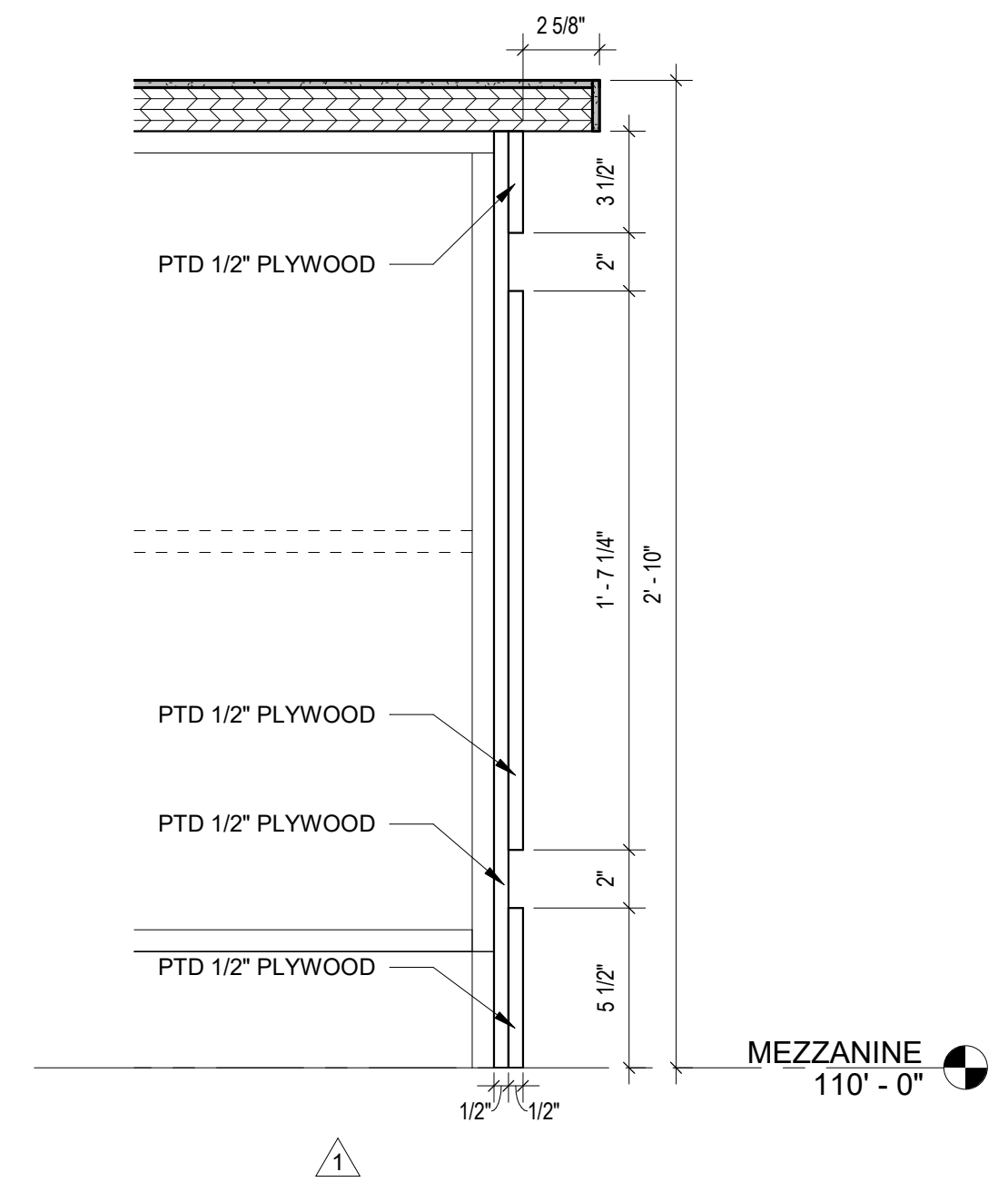
3 SECTION AT TICKET MILLWORK 1
1" = 1'-0" 1 / A-201



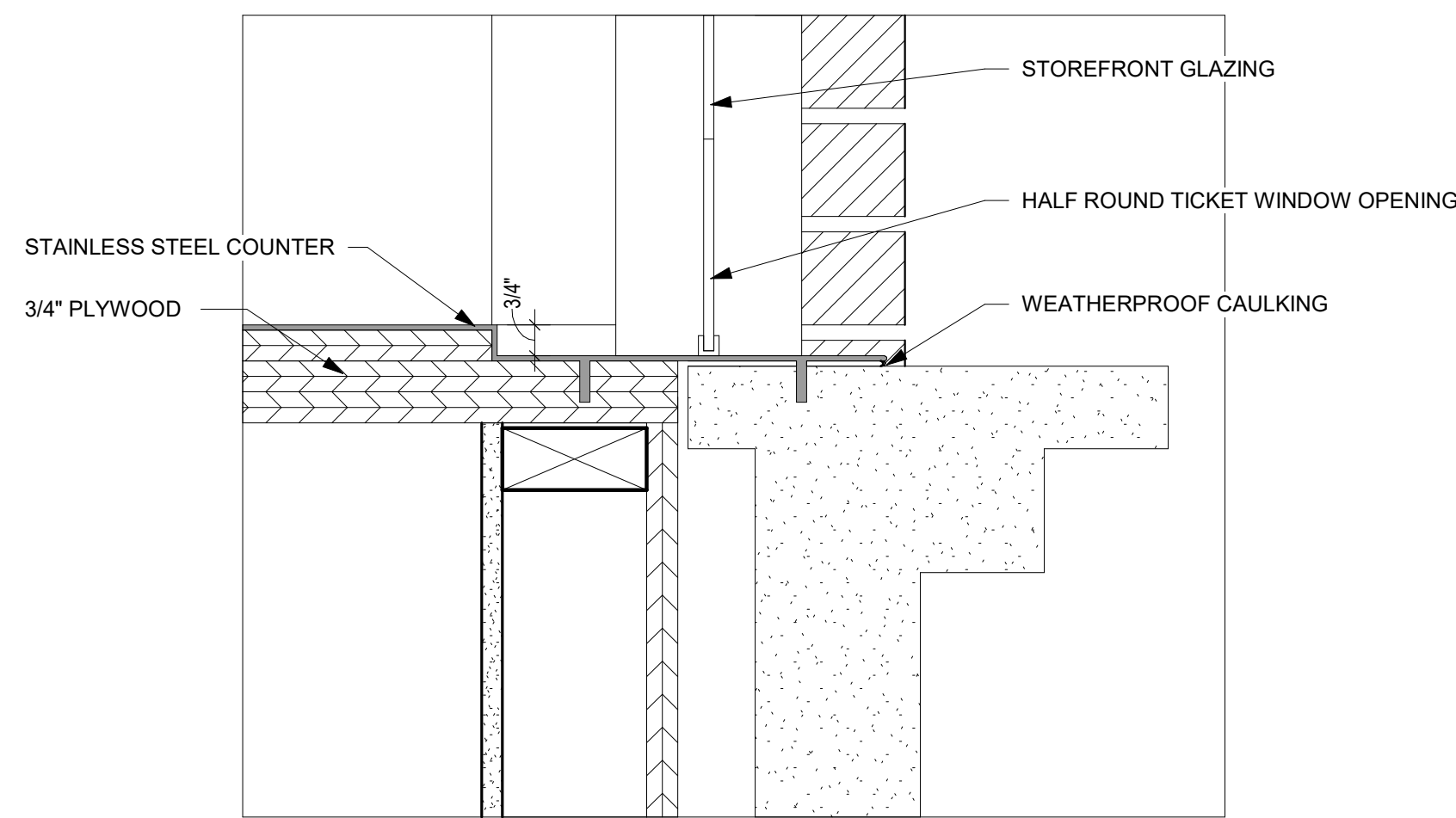
8 VESTIBULE 1 - LOCATION OF PRECAST SIGN
1/2" = 1'-0" 1 / A-101



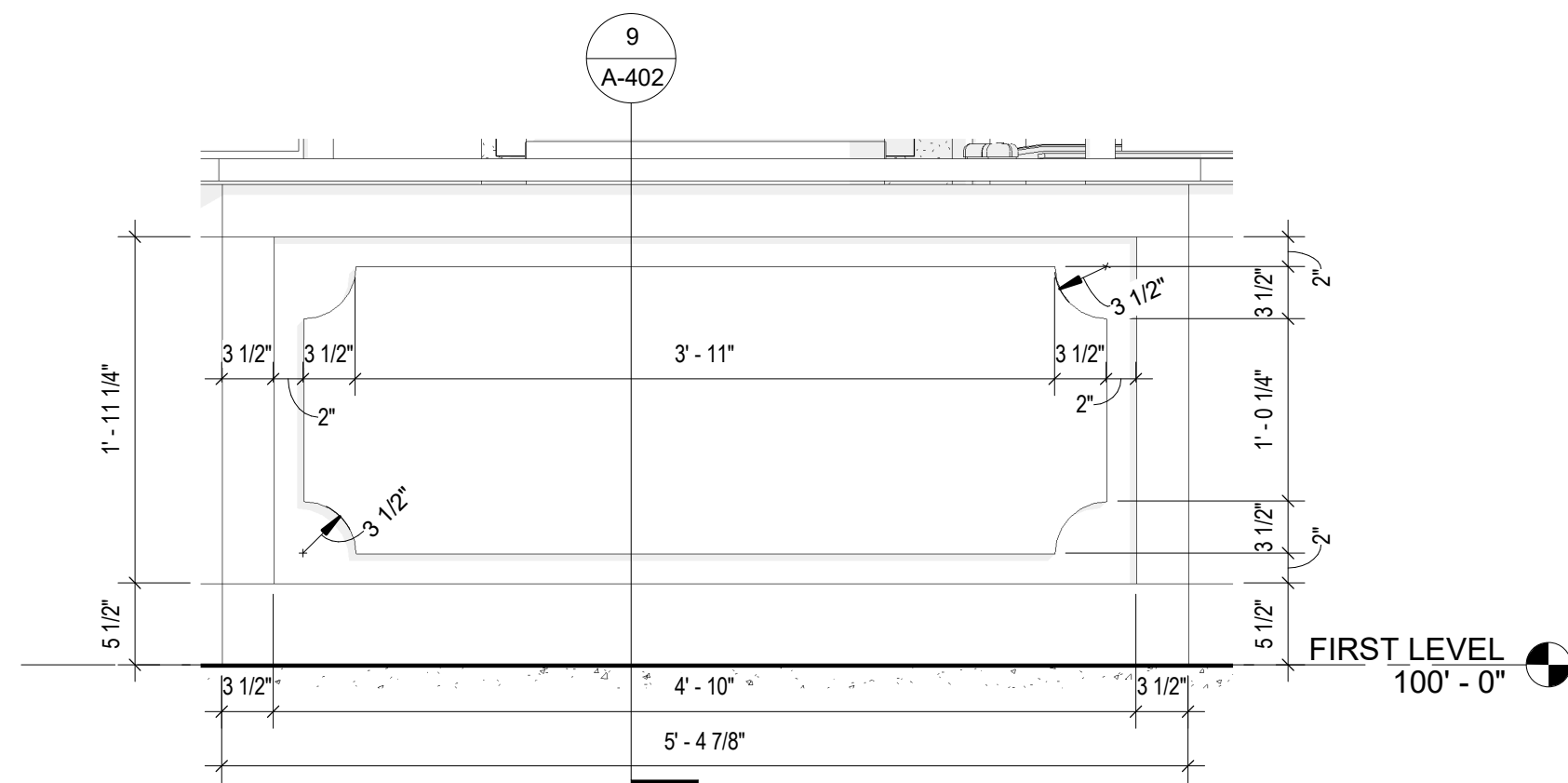
7 VESTIBULE 1 - LOOKING AT TICKET BOOTH
1/2" = 1'-0" 1 / A-101



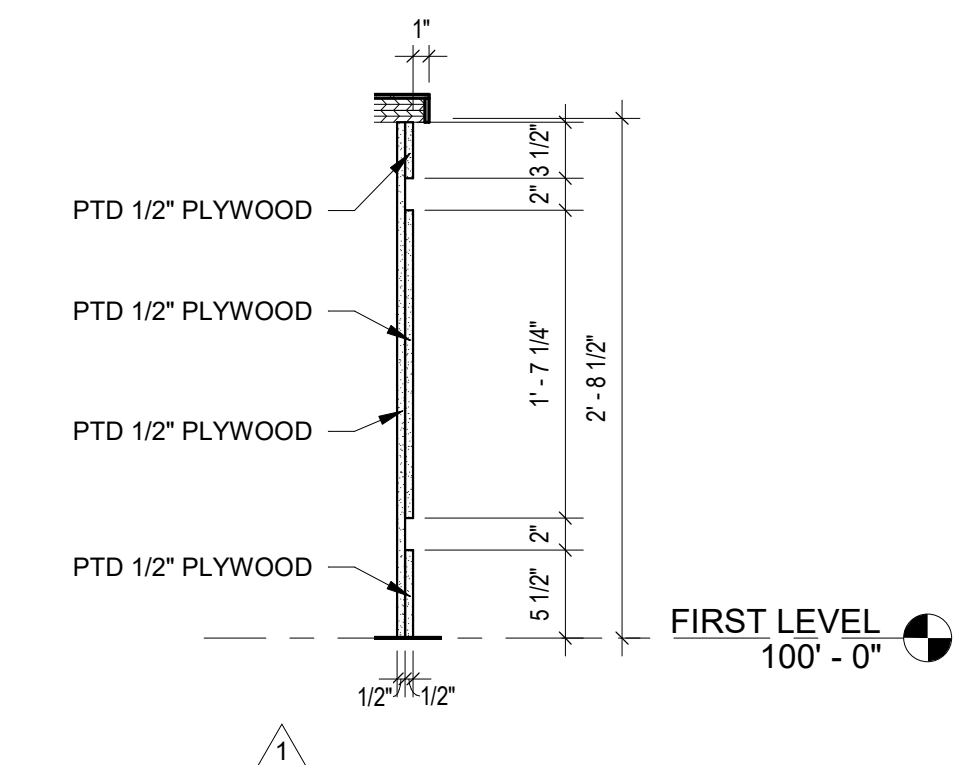
4 CONCESSION DETAIL SECTION
1:6 9 / A-401



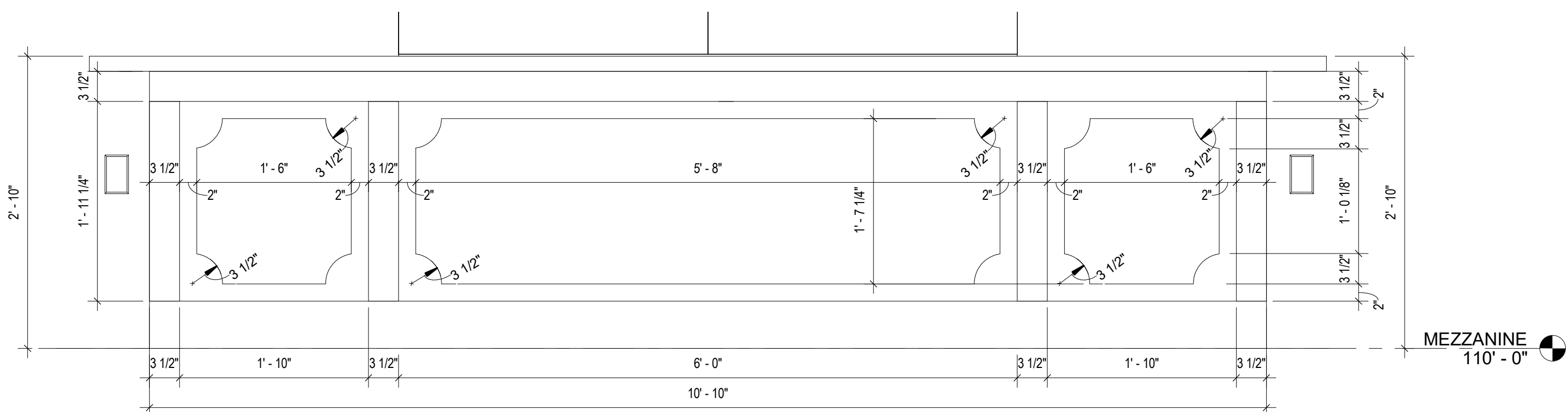
10 TICKET WINDOW DETAIL
3" = 1'-0" 2 / A-401



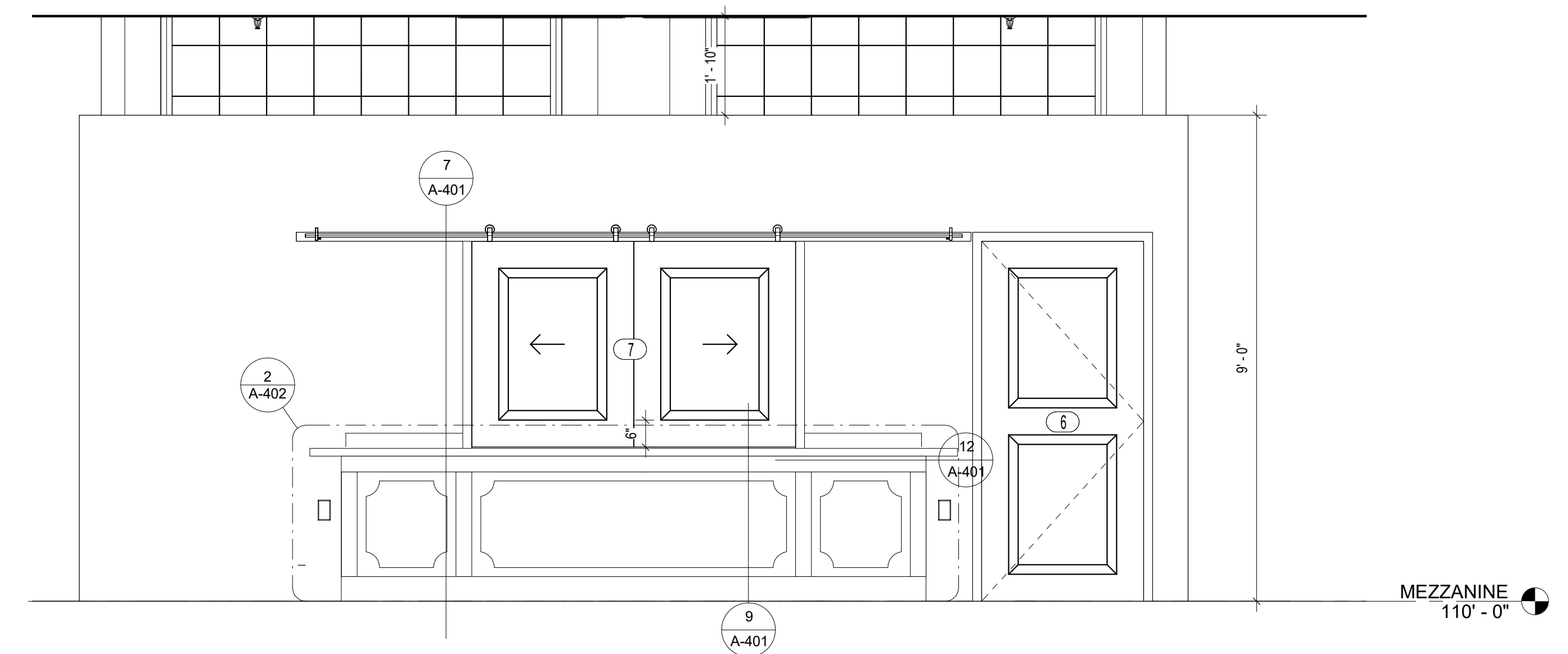
6 FACE OF TICKET BOOTH DETAIL
1" = 1'-0" 3 / A-201



9 TICKET BOOTH DETAIL SECTION
1" = 1'-0" 3 / A-401



2 FACE OF CONCESSION - DETAIL
1" = 1'-0" 1 / A-402



1 UPSTAIRS LOBBY - LOOKING AT CONCESSION
1/2" = 1'-0" 2 / A-101

2	5/10/2019	ADDENDUM 002
1	4/30/2019	ADDENDUM 001



COOPER MIXON
architects
535 JONESBORO AVENUE, JONESBORO, AR 72401
PHONE: 501.933.3333 WWW.COOPERMIXON.COM

ISSUE FOR BIDDING

PROJECT NO.

1808

PROJECT NAME

THE FORUM

DATE

04/15/2019

CONTENTS

INTERIOR ELEVATIONS

SHEET NUMBER

A-402