

A New Residence for:

Cobblestone Ridge

Osceola & Mountain Home, Arkansas

SCHEDULE OF SPECIAL INSPECTIONS				
PROJECT:	COBBLESTONE RIDGE			
MATERIAL / ACTIVITY	SERVICE	Y / N	EXTENT	APPLICABLE TO THIS PROJECT AGENT DATE COMPLETED
1104.4 CONCRETE CONSTRUCTION				
Inspect rebar steel installation	Field inspection		Periodic	2,3,4
Verification of req design mix	Review submittals		Periodic	3,4
Fresh concrete sampling	Field testing		Continuous	2,3
Concrete curing operations	Field review		Periodic	2,3
Evaluation of concrete strength	Field testing & review of laboratory reports		Periodic	3,4
Inspection of formwork for shape, lines, location, & dimensions	Field inspection		Periodic	2,3
1104.5 MASONRY CONSTRUCTION (LEVEL I)				
Verify proportions of site prepared mortar	Field & submittal review		Periodic	2,3
Verify construction of mortar joints	Field inspection		Periodic	2,3
Verify size, grade, & type of reinforcement	Field inspection		Periodic	2,3,4
Verify protection of masonry during hot/cold weather	Field inspection		Periodic	2,3
Verify compliance w/ req. inspection provisions of construction documents & approved submittals	Field inspection		Periodic	2,3,4
1104.6 WOOD CONSTRUCTION				
Inspection of the fabrication process of wood structural elements & assemblies in accordance with Sec. 1104.2	In plant review		Periodic	0
1104.7 SOILS				
Verify materials below shallow foundations are adequate to achieve the design bearing capacity	Field inspection		Periodic	1
Perform classification & testing of controlled fill materials	Field inspection		Periodic	1
Verify use of proper materials, densities, & lift thicknesses during placement & compaction of controlled fill	Field inspection		Continuous	1
Verify dry-density of compacted fill complies with approved test reports	Review field testing		Periodic	1
1107.1 ARCHITECTURAL COMPONENTS SPECIAL INSPECTIONS FOR SEISMIC RESISTANCE				
Inspection during the erection & fastening of exterior cladding, interior & exterior veneer	Field inspection		Periodic	2,3
Inspection during the erection & fastening of interior & exterior non load bearing walls	Field inspection		Periodic	2,3
1107.2 MECHANICAL & ELECTRICAL COMPONENTS SPECIAL INSPECTIONS FOR SEISMIC RESISTANCE				
Inspection during the anchorage of other electrical eqpt	Field inspection		Periodic	5,6
Inspection during installation of piping systems intended to carry flammable, combustible, or highly toxic contents & their associated mechanical units	Field inspection		Periodic	5,6
Inspection during the installation of HVAC ductwork that will contain hazardous materials	Field inspection		Periodic	5,6
Inspection during the installation of vibration isolation systems	Field inspection		Periodic	5,6
1108.3 REINFORCING STEEL TESTING FOR SEISMIC RESISTANCE				
Review certified mill test reports	Field review		Each Submittal	3,4
1108.5 SEISMIC QUALIFICATION OF MECHANICAL & ELECTRICAL EQUIPMENT				
Review certificate of compliance for designated seismic system components	Certificate of compliance review		Each Submittal	5,6
INSPECTION AGENT FIRM				
1 Testing Agency	NONE			
2 Testing Agency	NONE			
3 Architect	NONE			
4 Structural Engineer	NONE			
5 Mechanical Engineer	NONE			
6 Electrical Engineer	NONE			
7 Steel Fabricator	NONE			
8 Laminated Wood Mfg	NONE			
Notes:				
1. The inspection & testing agent(s) shall be engaged by the Owner or the Owner's Agent, and not by the Contractor or Subcontractor whose work is to be inspected or tested. Any conflict of interest must be disclosed to the Building Official prior to commencing work. The qualifications of the Special Inspectors and/or testing agency are subject to the approval of the Building Official and/or the Design Professional.				
2. The list of Special Inspectors may be submitted as a separate document if noted so above.				
Encircle "Yes" or "No" as appropriate and date below:				
Are Requirements for Seismic Resistance included in the Statement of Special Inspections? Yes (X) No				
Are Requirements for Wind Resistance included in the Statement of Special Inspections? Yes (X) No				
Date: _____				
Statement of Special Inspections				
This project requires minimum special inspections. Architect will inspect all components of the framing to ensure design by our plans are followed. Images along with an Field Report will be produced and filed.				



**Know what's below.
Call before you dig.**
Arkansas One-Call
Dial 811 or 800-482-8998
www.arkonecall.com

AFFC, VOL II, SECT 106.4 VERIFICATION:

WORK SHALL BE INSTALLED IN ACCORDANCE WITH THE REVIEWED CONSTRUCTION DOCUMENTS, AND ANY CHANGES MADE DURING CONSTRUCTION THAT ARE NOT IN COMPLIANCE WITH THE APPROVED CONSTRUCTION DOCUMENTS SHALL BE RESUBMITTED FOR APPROVAL AS AN AMENDED SET OF CONSTRUCTION DOCUMENTS.

(OWNER'S SIGNATURE)

(OWNER'S PRINTED NAME)

(GENERAL CONTRACTOR SIGNATURE)

(GENERAL CONTRACTOR PRINTED NAME)

(SUB. CONTRACTOR SIGNATURE)

(SUB. CONTRACTOR PRINTED NAME)

ABBREVIATIONS

1	FOOT
#	NUMBER
\$	DOLLARS
%	PERCENT
&	AND
@	AT
AB	ANCHOR BOLT
AB	ANCHOR BOLTS
ACI	AMERICAN CONCRETE INSTITUTE
ACCOUST	ACOUSTICAL
AFT	ABOVE FINISHED FLOOR
AHTD	AR HIGHWAY & TRANSPORTATION
ALUM	ALUMINUM
BD	BOARD
BFE	BUILDING FLOOR ELEVATION
BLDG	BUILDING
BTUH	BRITISH THERMAL UNITS PER HOUR
BTUH	BTUH
BTUH	BTUH
CAPGAL	CAPACITY IN GALLONS
CFM	CUBIC FEET PER MINUTE
CERT	CERTIFIED
CLG	CEILING
CLD	CLOSET
CMF	CORRUGATED METAL PIPE
CO	COMPANY
COL	COLUMN
COMP	COMPACTION
CONC	CONCRETE
CONT	CONTINUOUS
COTG	CLEAN OUT TO GRADE
CTS	CURRENT TRANSFORMERS
GA	CITY WATER & LIGHT
DBL	DOUBLE
DEPT	DEPARTMENT
DET	DETAIL
DIA	DIAMETER
DIR	DIRECTION
DISC	DISCONNECT
DRAN	DRAINAGE
DRY	DRAINAGE EASEMENT
DS	DOWNSPOUT
DE	DE
E	E
EA	EACH
E	ELECTRIC
ELEV	ELEVATION
ENC	ENCLOSURE
MTD	MOUNTED
MTL	METAL
N	NORTH
NEC	NECESSARY
ON	ON CENTER
OG	ON CENTER EACH WAY
OSB	ORIENTED STRAN BOARD
PLY	PLYWOOD
PNL	PANEL
PREFIN	PREFINISHED
PROJ	PROJECTED
PSI	POUNDS PER SQUARE INCH
PVC	POLY VINYL CHLORIDE
RAFS	RETURN AIR FILTER GRILLE
RCP	REINFORCED CONCRETE PIPE
REF	REFERENCE
REIN	REINFORCEMENT
EN	ORIENTED STRAN BOARD
EXIST	EXISTING
EXP	EXPANSION
EXT	EXTERIOR
FFE	FINISHED FLOOR ELEVATION
FIRE EXT	FIRE EXTINGUISHER
FH	FIRE HYDRANT
FND	FOUNDATION
FR	FRAME
FT	FOOT
FTG	FOOTING
G	GAS
GA	GAUGE
GALV	GALVANIZED
GB	GRADE BEAM
GC	GENERAL CONTRACTOR
GE	GENERAL ELECTRIC
GL	GLASS
GND	GROUND
H (HORIZ)	HORIZONTAL
HD	HORIZONTAL
HD	HORIZONTAL
HT	HEIGHT
HTR	HEATING
HTR	HEATER
HVAC	HEATING VENTILATION & AIR CONDITIONING
INCL	INCLUDING
INSUL	INSULATION
INT	INTERIOR
INT	INTERIOR
INVT	INVERT
INVT	INVERT
INVT	INVERT
KM	KILOMATT
LAM	LAMINATE
LOC	LOCATION
LP	LIGHT POLE
LTG	LIGHTING
MACH	MACHINE
MANUF	MANUFACTURER
MAS	MASONRY
MAX	MAXIMUM
MDF	MEDIUM DENSITY FIBERBOARD
MECH	MECHANICAL
MIL	MILLIMETER
MIN	MINIMUM
MNTD	MOUNTED
MOD	MODIFIED
OE	OVERHEAD ELECTRIC
VERT	VERTICAL
VERT	VERTICAL
VTR	VENT THRU ROOF
W	WITH
WH	WATER HEATER
WFF	WELDED WIRE FABRIC
WFM	WELDED WIRE MESH
YR	YEAR
G	CENTER LINE
REQ	REQUIRED
S	SOUTH
S	SET BACK
SCHED	SCHEDULE
SF	SQUARE FOOT
SIP	SET IRON PIPE
SJ	SAM JOINT
SS	SANITARY SEWER
STD	STANDARD
STL	STEEL
SUS	SUSPENDED
T&B	TOP AND BOTTOM
T&B	TOP AND BOTTOM
T&B	TOP AND BOTTOM
TD	TURN DOWN
TK	THICK
TRM	TOP OF BENCH MARK
TRANS	TRANSVERSE
TV	TELEVISION
TYP	TYPICAL
UG	UNDERGROUND ELECTRIC
UTIL	UTILITY
UTIL	UTILITY EASEMENT
W	WATER

SHEET INDEX

C	COVER SHEET - RESIDENCE 'B'
	SITE DEVELOPMENT PLANS (BY OTHERS)
1	FOUNDATION PLAN NOTES, DETAILS, AND SCHEDULES
2	FLOOR PLAN - OPENING SCHEDULES
3	EXTERIOR & INTERIOR ELEVATIONS
4	FRAMING & ROOF PLAN NOTES, DETAILS, AND SCHEDULES
5	HVAC PLAN NOTES, DETAILS, AND SCHEDULES
6	PLUMBING PLAN NOTES, DETAILS, AND SCHEDULES
7	ELECTRICAL POWER & LIGHTING PLAN ELECTRICAL POWER RISER DIAGRAM

MATERIAL LEGEND

	FACEBRICK
	MASONRY BLOCK
	PLYWOOD
	WOOD (FINISH OR STUD WALL)
	WOOD (BLOCKINGS)
	INSULATION (BAT)
	INSULATION (RIGID)
	GYP. BOARD OR PLASTER
	METAL
	METAL STUDS
	CONCRETE

SYMBOL LEGEND

	SECTION SHEET
	DETAIL SHEET
	OPENING
	GENERAL NOTE
	LEVEL CHANGE
	NORTH ARROW
	WALL ELEVATION SHEET
	FIXTURE

PROJECT PROFESSIONALS:

CONSULTANT: MORTIN DESIGN SERVICES, LLC
CONTACT: BRITANY MORTIN
BEEBE, AR 72012
(870) 284-4054 Office

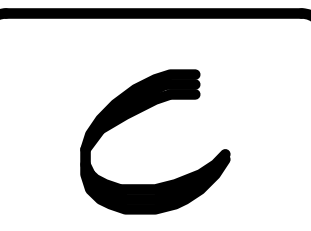
CONTRACTOR: OLYMPUS CONSTRUCTION
CONTACT: TONY PARDEN
JONESBORO, AR 72401
(870) 432-3544 Office

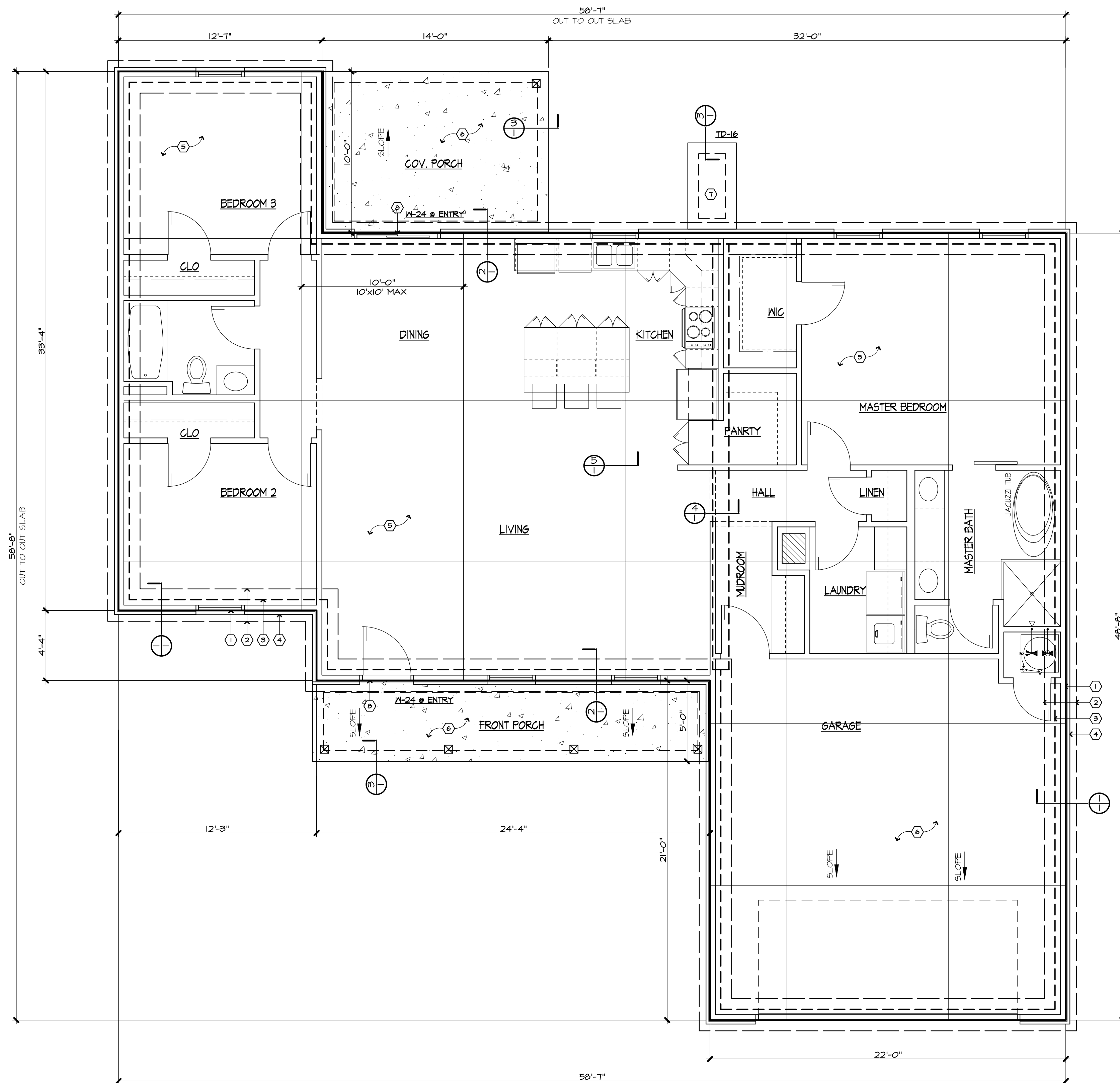
COVER SHEET - RESIDENCE "B"

MULTI-FAMILY HOUSING FOR:
COBBLESTONE RIDGE

COMM. NO. 48422
DATE: 07/08/2022
FILE:

MORTIN DESIGN SERVICES, LLC
Commercial & Residential Drafting Consultant
870-284-4054
bmortin.mds@gmail.com





FOUNDATION PLAN
1/4"
NOTE: SEE SITE PLANS FOR BUILDING LAYOUT

GENERAL NOTES FOUNDATION PLANS	
MARK	DESCRIPTION
1	EDGE OF SLAB
2	LINE OF FOOTING
3	LINE OF FOUNDATION WALL
4	LINE OF BRICK - SEE EXT ELEVATIONS FOR REF
5	4"TK CONG SLAB REINF W/ 6x6 MI.4xMI.4 OVER 6 MIL VAPOR BARRIER OVER CLEAN COMPACTED FILL - 45% PROCTOR
6	4"TK CONG SLAB REINF W/ 6x6 MI.4xMI.4 OVER 6 MIL VAPOR BARRIER OVER CLEAN COMPACTED FILL - BROOM FINISH - 45% PROCTOR - ALL EXTERIOR CONCRETE TO BE 5% AIR ENTRAINED
7	4"TK CONG STOOP FOR HVAC UNIT (TYP) - SEE HVAC PLANS FOR REF
8	DROP SLAB 1/2' THIS LOG - SEE DETAIL FOR REF

FOOTING SCHEDULE			
MARK	SIZE	DESCRIPTION	REMARKS
W-24	12"x24"xCONC W/ 8"x16"TD GB	(3) #5 CONT W/ #4 TIES @ 48" OC (2) #5 CONT W/ #4 VERT DONNELLS @ 48" OC EXT 24" INTO SLAB (2) #4S CONT EXTENDED INTO SLAB	(1)
W-24 @ ENT	12"x24"xCONC W/ 8"x16"TD GB	(3) #5 CONT W/ #4 TIES @ 48" OC (2) #5 CONT W/ #4 VERT DONNELLS @ 48" OC EXT 24" INTO SLAB (2) #4S CONT EXTENDED INTO SLAB (1) #5 CONT @ STOOP FTG	(1)
T5	16"x8"TDxCONC	(2) #5 CONT - TIE INTO VERT DONNELLS @ PERIMETER FTG'S	(2)
TD-16	8"x16"TD	(2) #4S CONT W/ #4 VERT DONNELLS @ 16" OC EXT 24" INTO SLAB	
F-36	36"x36"x12"	(3) #5S 30"L EA WAY, W/ (4) #4S VERT IN PIER WITH #4 TIES @ 8" OC STARTING 5" BELOW SLAB SURFACE	
F-48	48"x48"x12"	(5) #5S 42"L EA WAY, W/ (4) #4S VERT IN PIER WITH #4 TIES @ 8" OC STARTING 5" BELOW SLAB SURFACE	

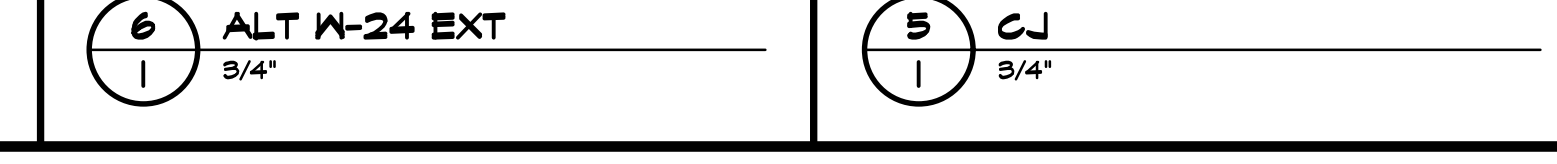
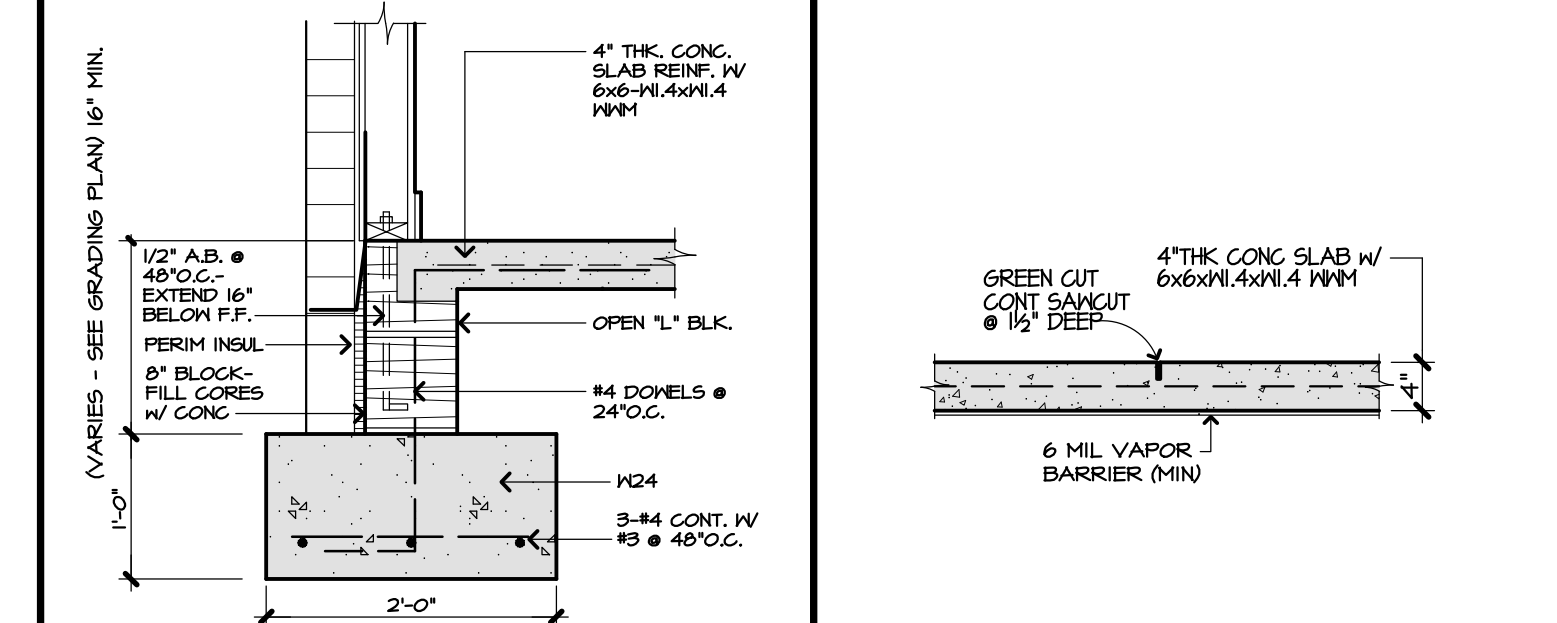
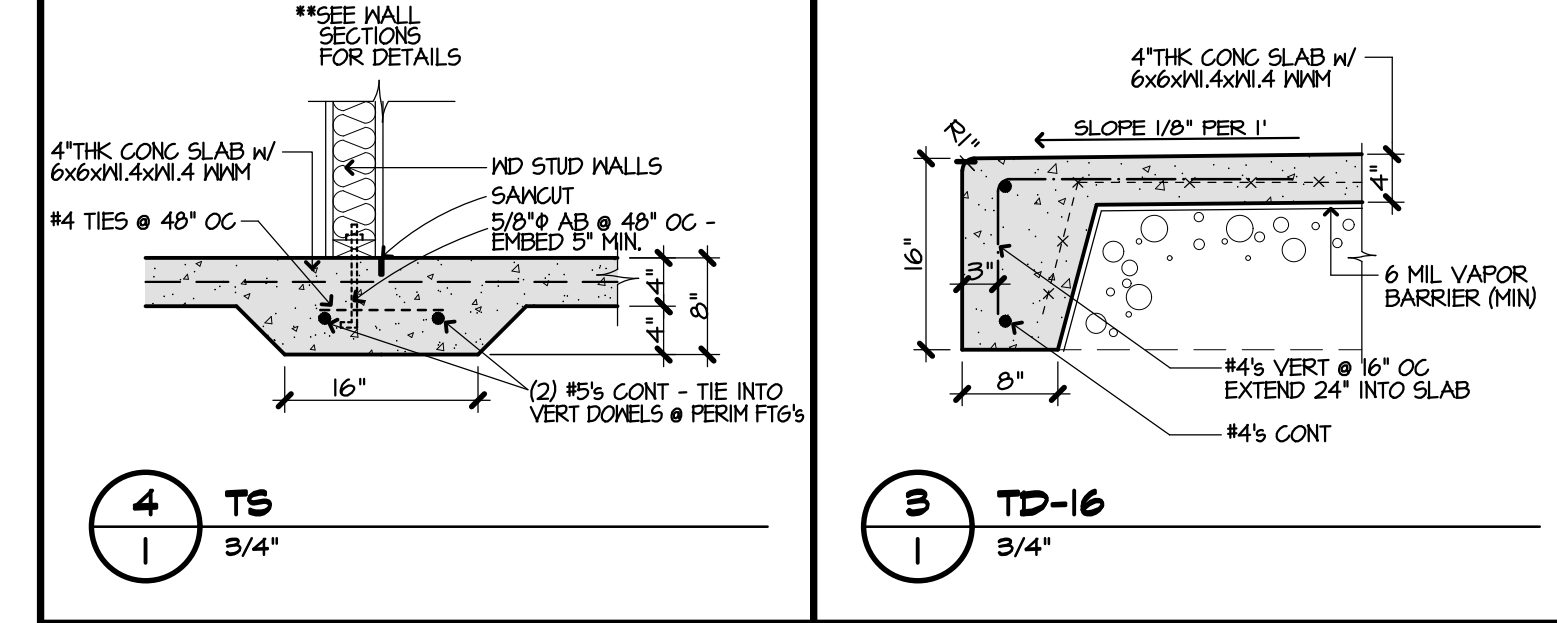
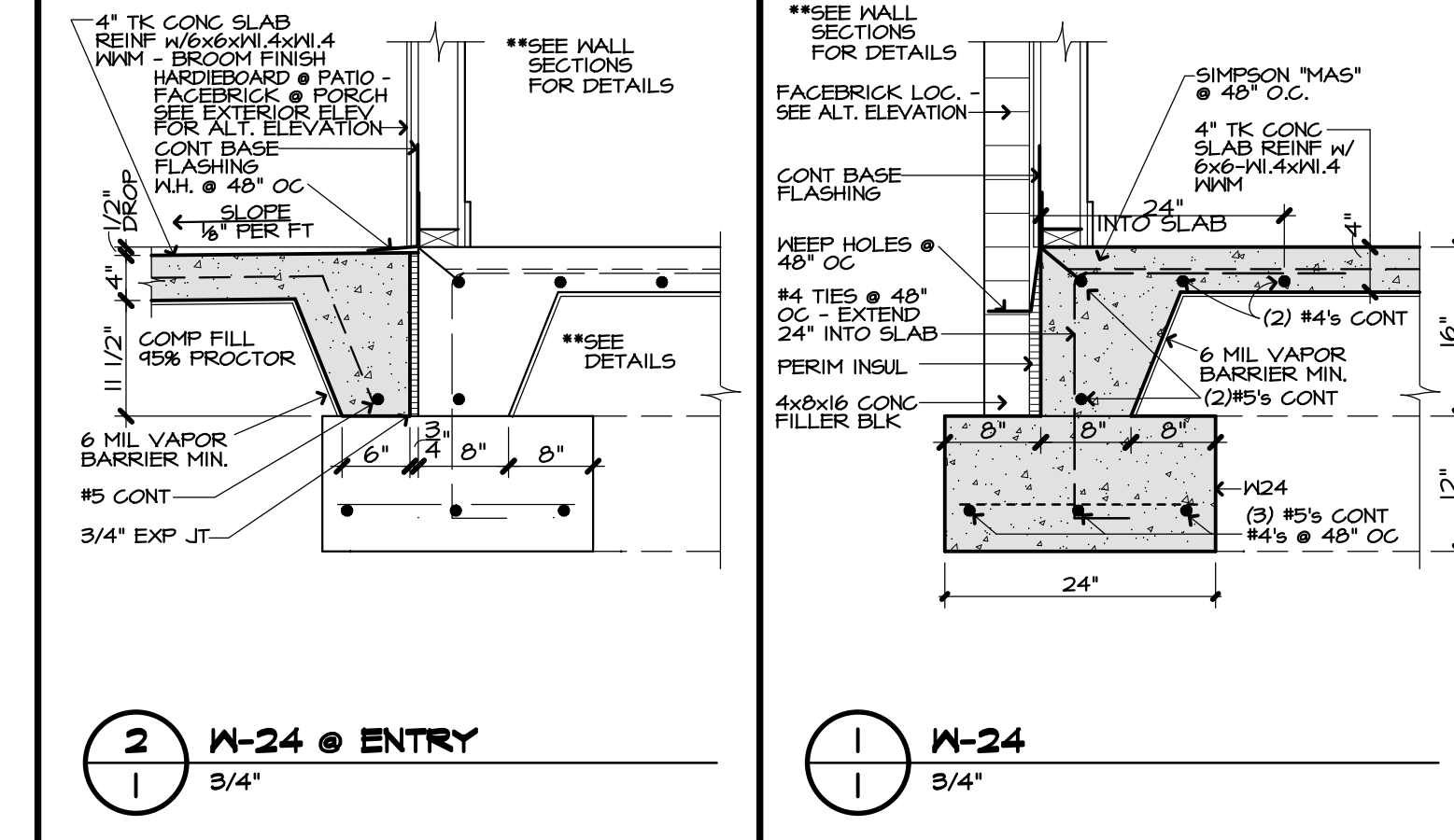
REMARKS FOOTING SCHEDULE

(1) SIMPSON MAS' MDSILL ANCHOR CAST IN SLAB - SEE DETAIL FOR SPACING

(2) ANCHOR BOLTS CAST INTO SLAB - SEE DETAIL FOR SIZE & SPACING

ENGINEERING GENERAL NOTES

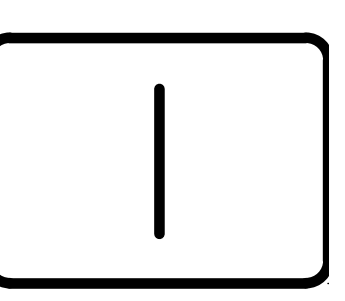
- ALL REINFORCING STL TO BE ASTM A615 GR60
- 3500 PSI CONG W/ 4" SLUMP FOR ALL FOOTINGS - 4,000 PSI CONG W/ 4" SLUMP FOR SLAB
- ALL REINFORCING STL TO HAVE MIN 3" COVER WHEN EXPOSED TO SOIL
- ALL FOOTINGS TO BEAR ON UNDISTURBED SOIL OR ENGINEERED FILL W/ MIN 2,500 PSF BEARING CAPACITY
- ALL EXTERIOR CONCRETE TO BE 5% AIR ENTRAINED

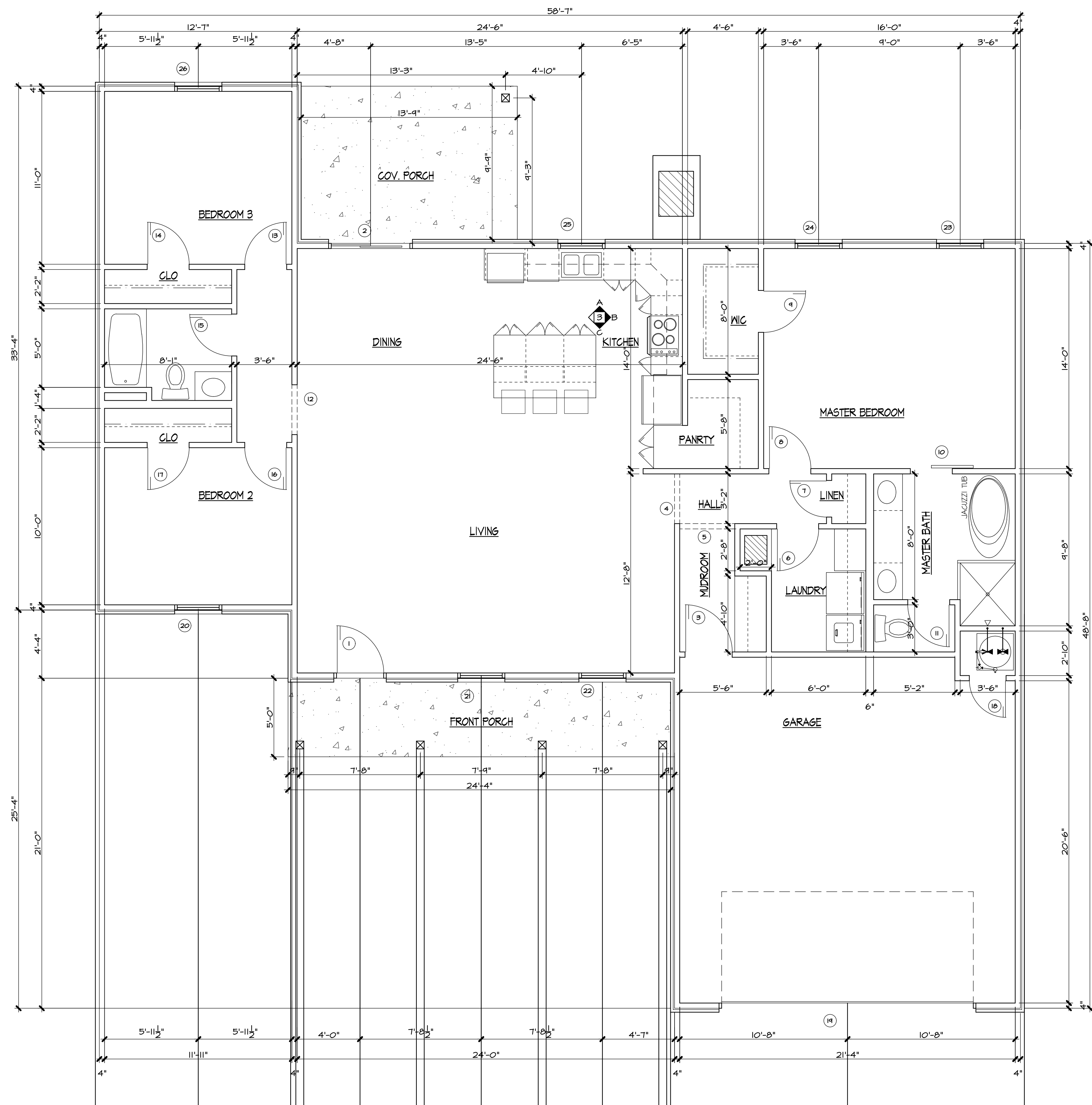


FOUNDATION PLAN
NOTES, DETAILS, AND SCHEDULES

MULTI-FAMILY HOUSING FOR:
COBBLESTONE RIDGE
CONTRACT NO. 05422
DATE: 07/09/2022
FILE:

MORTIN DESIGN SERVICES, LLC
Commercial & Residential Drafting Consultant
870-284-4054
bmortin.mds@gmail.com



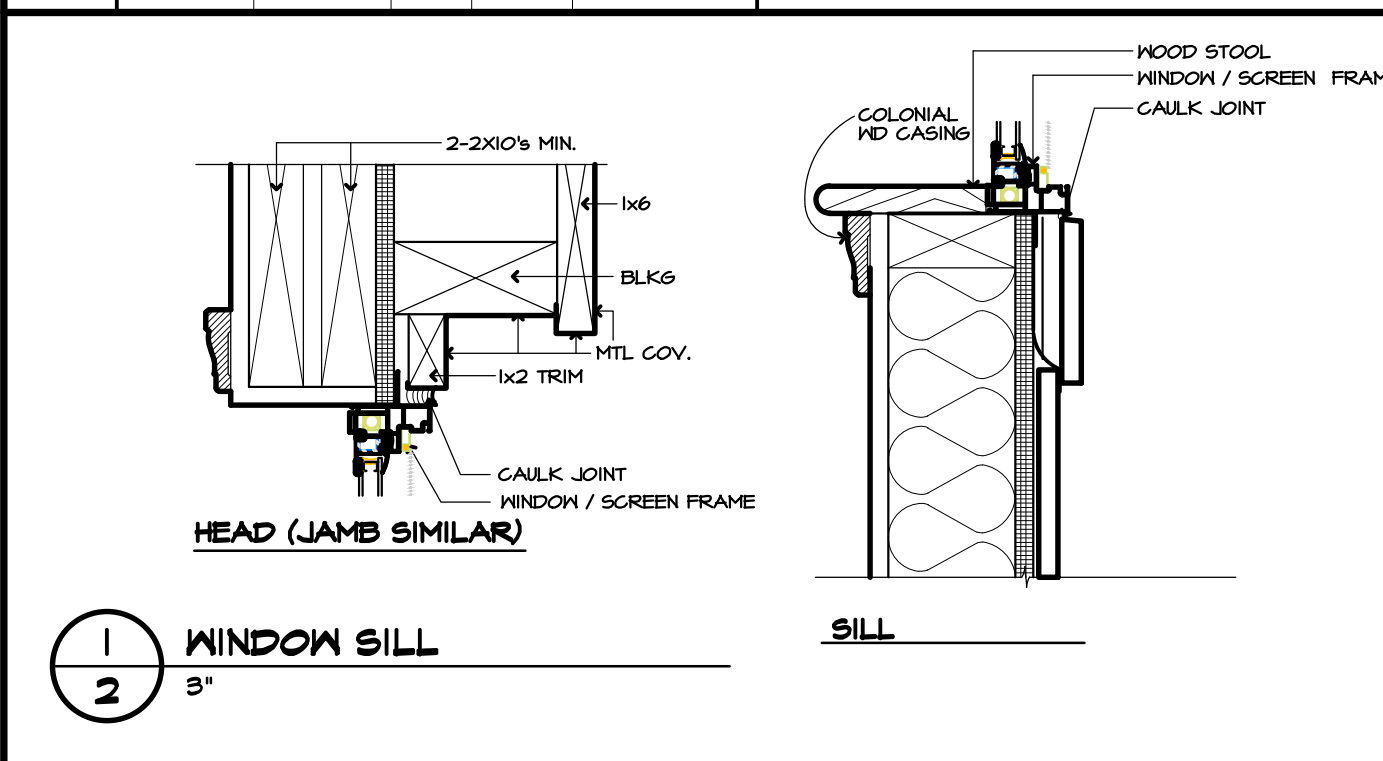


FLOOR PLAN
 1/4"
 SQUARE FOOTAGE H&C: 1,660
 SQUARE FOOTAGE TOTAL: 2,154

ALL HARDWARE TO BE CLOSE FIT OPERABLE - VERIFY TYPE W/ OWNER
 VERIFY BLINDS TYPE & COLOR W/ OWNER

MARK	DOORS					REMARKS
	W	H	T	MAT	TYPE	
1	3'-0"	6'-8"		HM	SEE ELEV	LOCK SET W/ DEADBOLT
2	6'-0"	6'-8"		ALUM	SEE ELEV	SLIDING W/ LOCK SET
3	3'-0"	6'-8"		HM		LOCK SET
4	3'-4"	6'-8"		WD		CASED OPENING
5	3'-6"	6'-8"		WD		CASED OPENING
6	2'-8"	6'-8"		WD		CLOSET SET
7	2'-4"	6'-8"		WD		CLOSET SET
8	2'-8"	6'-8"		WD		PRIVACY SET
9	2'-8"	6'-8"		WD		CLOSET SET
10	2'-8"	6'-8"		WD		CASED OPENING W/ BARN DR PROVIDED HARDWARE
11	2'-8"	6'-8"		WD		PRIVACY SET
12	3'-2"	6'-8"		WD		CASED OPENING
13	2'-8"	6'-8"		WD		PRIVACY SET
14	2'-8"	6'-8"		WD		CLOSET SET
15	2'-8"	6'-8"		WD		PRIVACY SET
16	2'-8"	6'-8"		WD		PRIVACY SET
17	2'-8"	6'-8"		WD		CLOSET SET
18	2'-4"	6'-8"		WD		CLOSET SET
19	16'-0"	8'-0"		ALUM	SEE ELEV	GARAGE DR W/ MOTOR & SENSORS THIS CONTRACT

WINDOWS						
20	3'-0"	5'-0"	2"	ALUM	SEE ELEV	
21	3'-0"	5'-0"	2"	ALUM	SEE ELEV	
22	3'-0"	5'-0"	2"	ALUM	SEE ELEV	
23	3'-0"	5'-0"	2"	ALUM	SEE ELEV	
24	3'-0"	5'-0"	2"	ALUM	SEE ELEV	
25	3'-0"	3'-6"	2"	ALUM	SEE ELEV	
26	3'-0"	5'-0"	2"	ALUM	SEE ELEV	

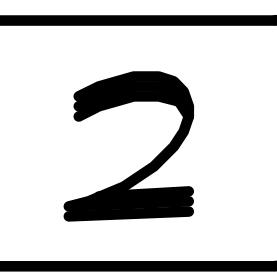
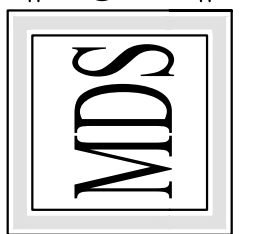


FLOOR PLAN - OPENING SCHEDULES

MULTI-FAMILY HOUSING FOR:
COBBLESTONE RIDGE

COMM. NO. 45422
 DATE: 07/09/2022
 FILE:

MORTIN DESIGN SERVICES, LLC
 Commercial & Residential Drafting Consultant
 870-284-4054
 bmortin.mds@gmail.com

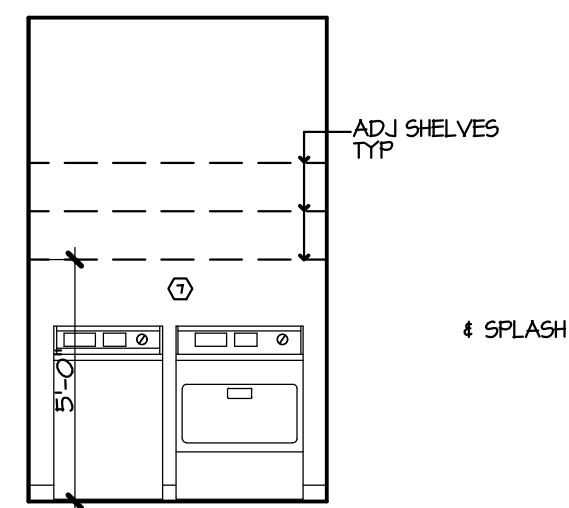
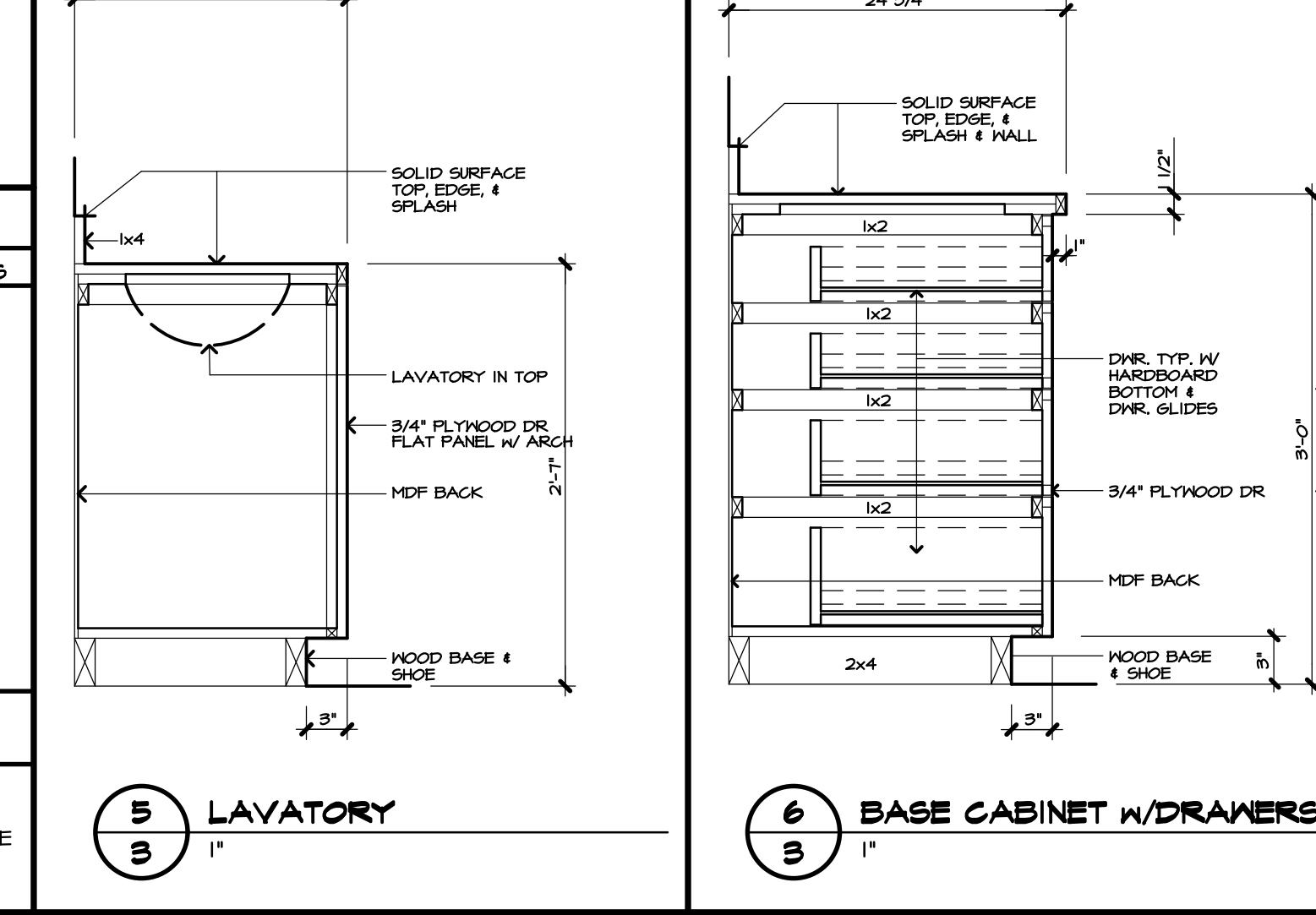
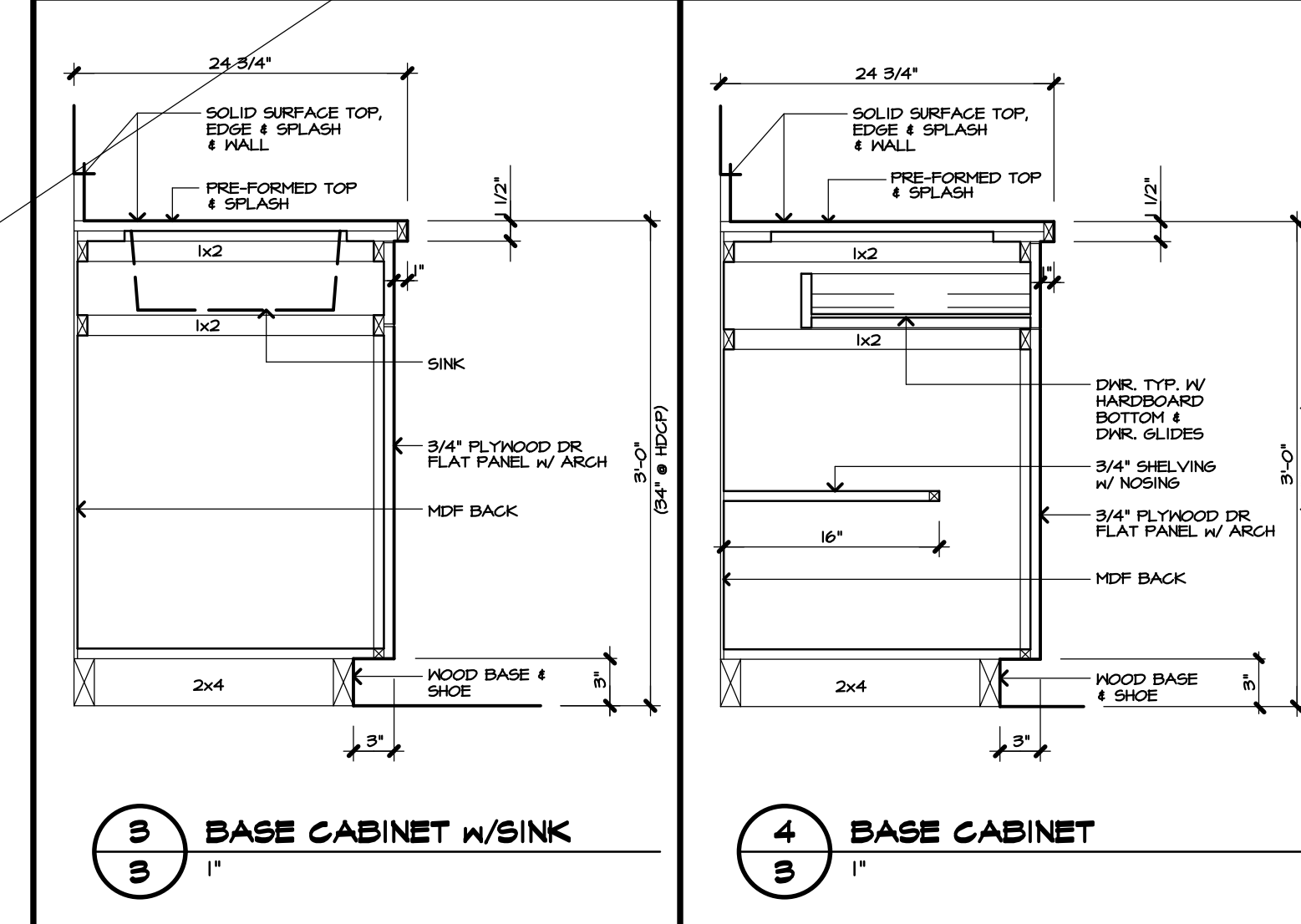
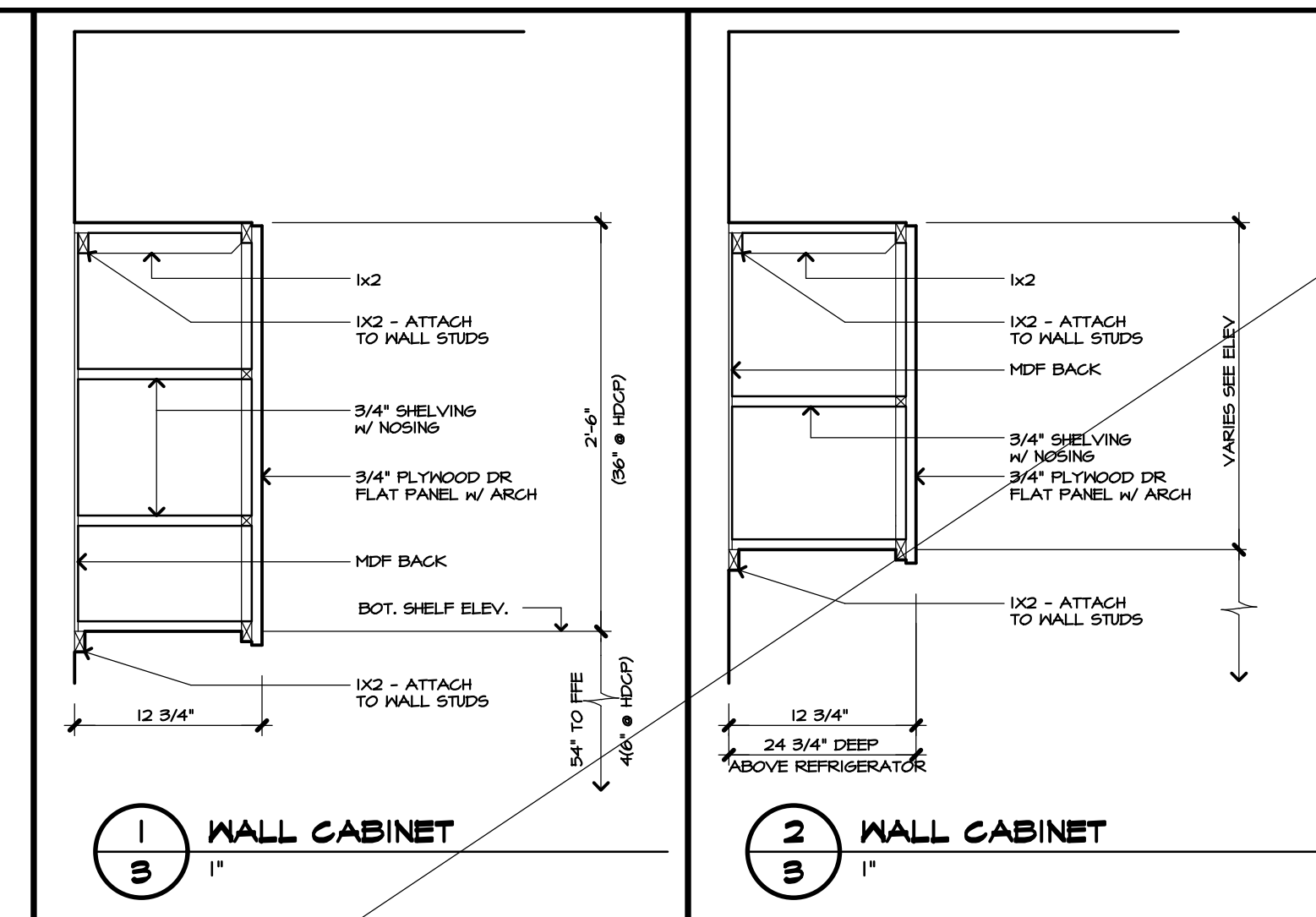


FRONT ELEVATION
N.T.S.

REAR ELEVATION
N.T.S.

LEFT ELEVATION
N.T.S.

RIGHT ELEVATION
N.T.S.



ELEVATION "A" _____
UTILITY 3/8" _____
BATHROOM 3/8" _____

ELEVATION "A" _____
KITCHEN 3/8" _____
ELEVATION "B" _____
ELEVATION "C" _____

0 GENERAL NOTES INTERIOR ELEVATIONS			
MARK	DESCRIPTION	MOUNTING REQ.	REMARKS
1	ROBE HOOK	60" ϕ	(1)
2	TISSUE HOLDER	24" ϕ	(1)
3	SHOWER HEAD LOCATION	72" ϕ	
4	MIRROR	VARIES	(1), (2)
5	GYP BD "WRX" PAINTED	XXXXXXXXXX	(2)
6	HOOD BASE W/ SHOE	XXXXXXXXXX	
7	CLEAN & CAULK ALL JOINTS @ FIXTURES & TRIM	XXXXXXXXXX	

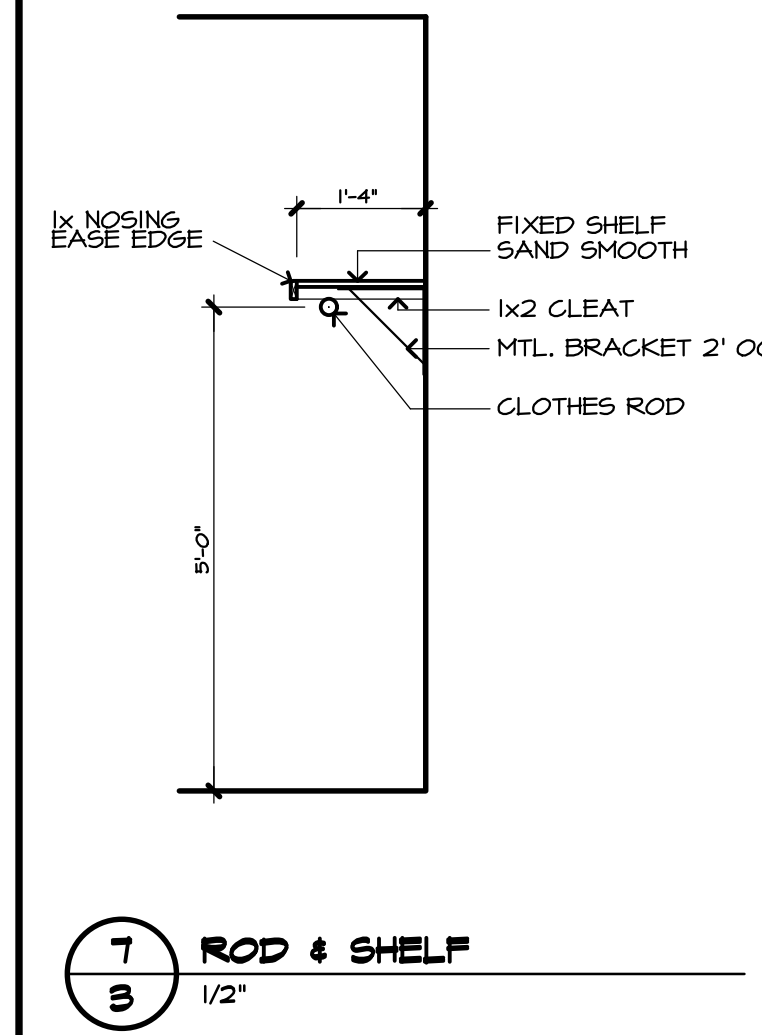
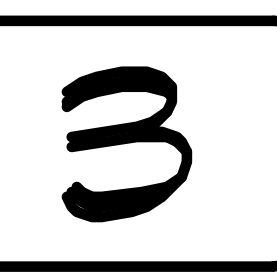
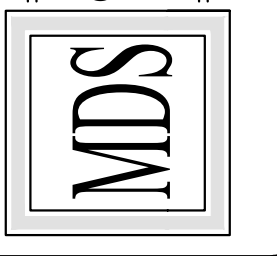
REMARKS GENERAL NOTES
 (1) ALL ACCESSORIES TO BE SECURED TO SOLID BLOCKING
 (2) "WRX" GYP BD TO BE INSTALLED BEHIND ALL TUBS - SEE INTERIOR ELEVATIONS FOR REFERENCE

EXTERIOR & INTERIOR ELEVATIONS

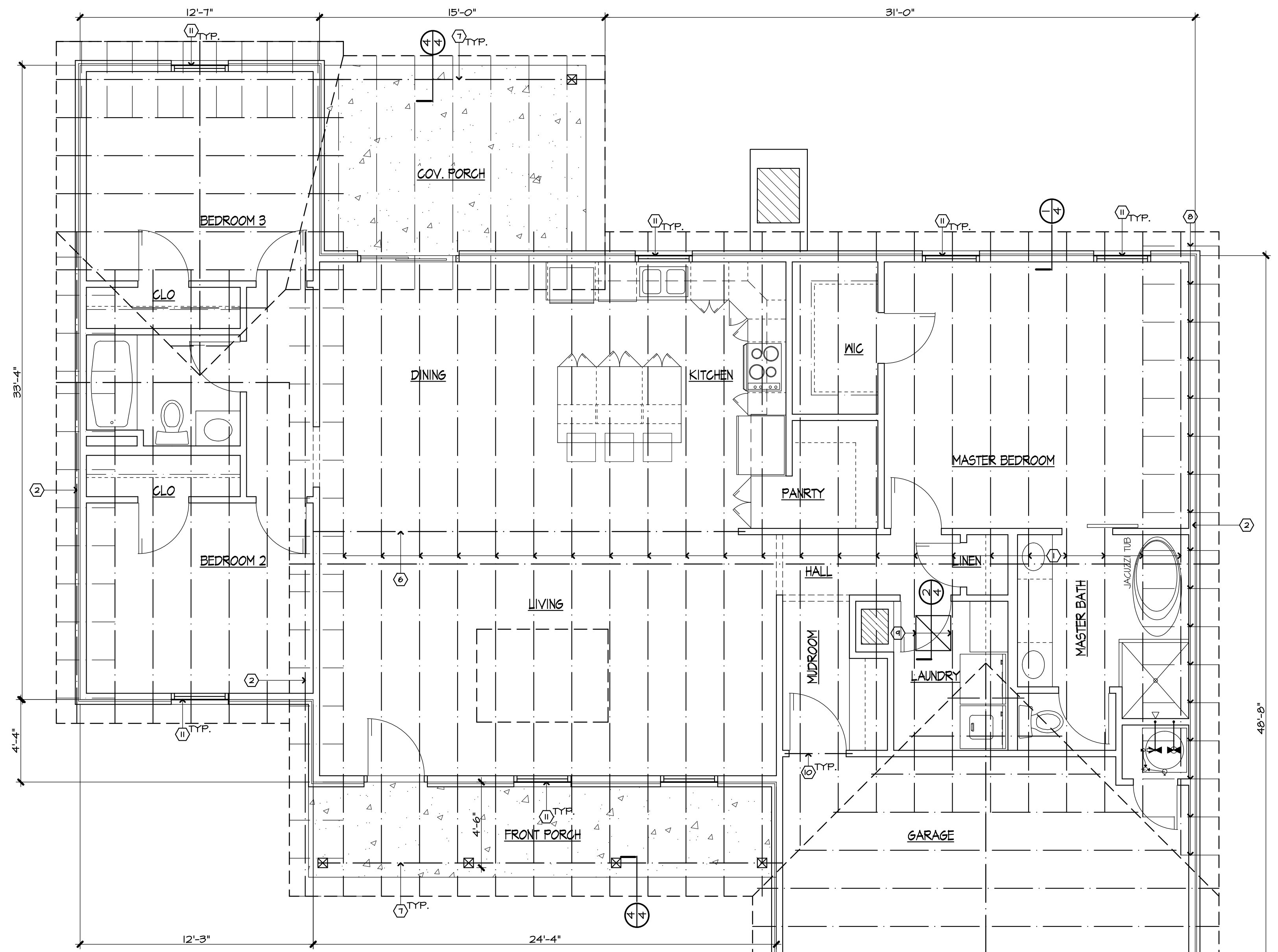
COBBLESTONE RIDGE

COMM. NO. 15432
DATE: 07/09/2022
FILE:

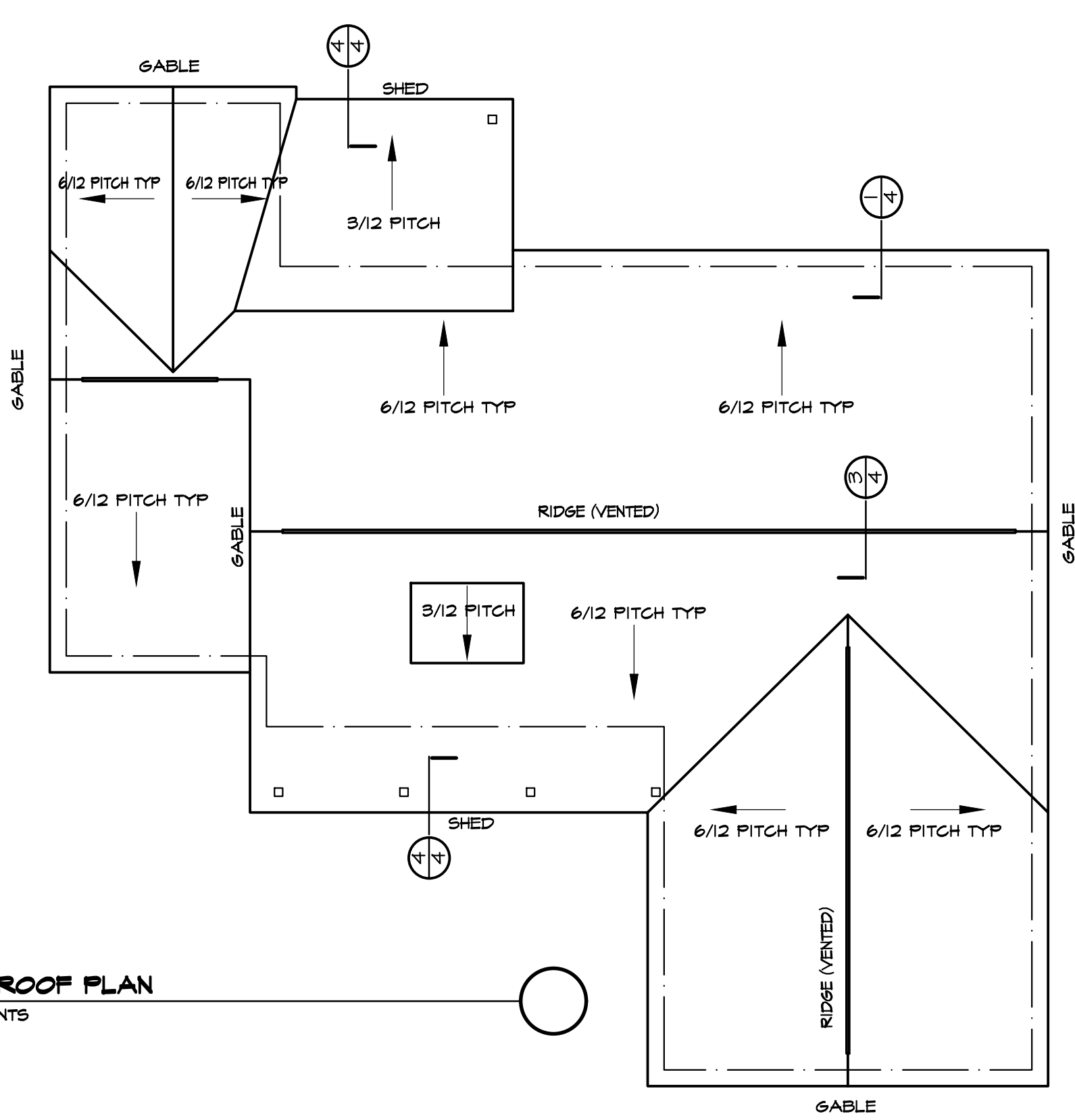
MORTIN DESIGN SERVICES, LLC
Commercial & Residential Drafting Consultant
870-284-4054
bmortin.mds@gmail.com



7
3 1/2" _____
ROD & SHELF



FRAMING PLAN
1/4"



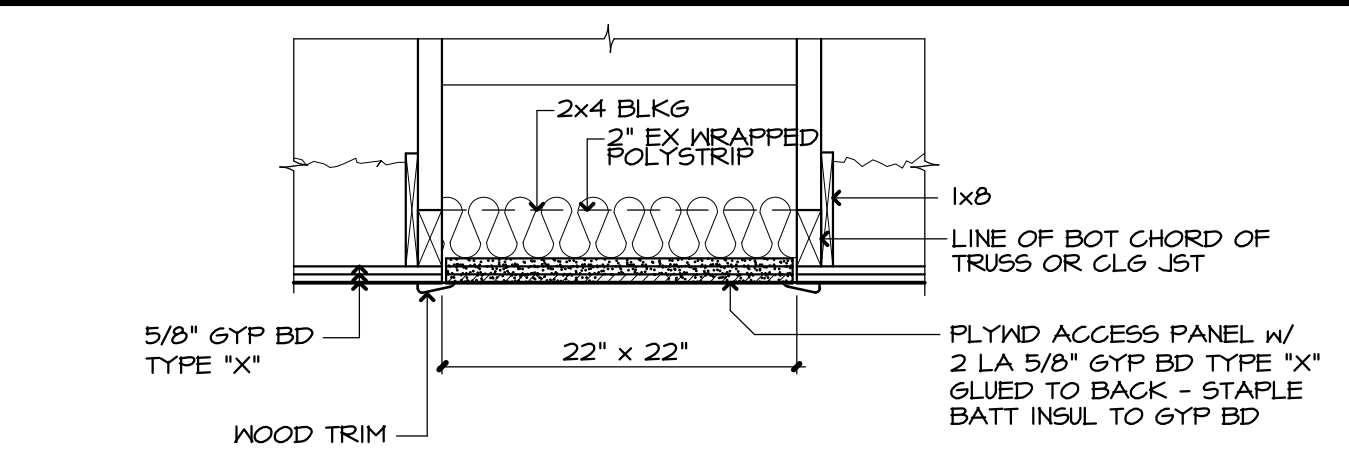
ROOF PLAN
NTS

- GENERAL NOTES FRAMING PLANS**
- | MARK | DESCRIPTION |
|------|--|
| 1 | PRE-ENGINEERED WOOD TRUSSES @ 24" OC |
| 2 | PROVIDE GABLE TRUSS THIS LOC'S - SEE EXTERIOR ELEVATIONS |
| 3 | SEE TRUSS SHOP DRAWINGS FOR CONT WEB BRACE MEMBER SIZE, LOCATION, AND REQ'D FASTENERS. LAP SPLICE CROSS AT LEAST 2 TRUSSES |
| 4 | PROVIDE FOR CONTINUOUS PERMANENT LATERAL WEB BRACING AS REQ'D BY TRUSS SUPPLIER - CONTRACTOR SHALL INSTALL CONT WEB BRACING AS NOTED ON TRUSS SUPPLIER'S SHOP DRAWINGS |
| 5 | 1 - 2x4 PERMANENT 45 DIAGONAL BRACE IN PLANE OF WEB MEMBERS NAILED TO OPPOSITE SIDE OF TRUSS WEB MEMBER APPROX 20'-0" INTERVALS |
| 6 | 3/8"x13/16" GLUE LAM BM |
| 7 | PORCH BEAM - (2) 2x10'S W/ 1/2"TK PLYWOOD BETWEEN |
| 8 | 2x4 OUTRIGGERS @ 2'-0" OC |
| 9 | ATTIC SCUTTLE - SEE DETAIL FOR REF |
| 10 | DOOR HEADER - SEE LINTEL SCHEDULE |
| 11 | WINDOW HEADER - SEE LINTEL SCHEDULE |
| 12 | PROVIDE SOLID BLKG IN WALL FOR HDPC BARS & T.V. MOUNTS |
- TRUSS NOTES**
- ALL ROOF TRUSSES SHALL BE DESIGNED BY THE FABRICATOR TO SUPPORT 10 PSF DEAD LOAD ON TOP CHORD AND 10 PSF DEAD LOAD ON BOTTOM CHORD PLUS 20 PSF LIVE LOAD ON TOP CHORD PLUS 10 PSF LIVE LOAD ON BOTTOM CHORD, PLUS CODE WIND LOAD.
 - FABRICATOR SHALL SUBMIT CALCULATIONS W/SHOP DRAWINGS STAMPED BY A PROFESSIONAL ENGINEER REGISTERED IN THE STATE OF ARKANSAS TO THE ARCHITECT FOR REVIEW PRIOR TO FABRICATION OF TRUSSES.
 - CONTRACTOR SHALL PROVIDE BRACING FOR TRUSS CHORD AND WEB MEMBERS AS REQUIRED BY THE TRUSS FABRICATOR. SYSTEM IS NOT STABLE UNTIL SHEATHING AND PERMANENT BRACINGS ARE INSTALLED.
 - NUMBER 3 GRADE LUMBER SHALL NOT BE ALLOWED FOR CHORDS OR TENSION WEB MEMBERS
 - MINIMUM TRUSS PLATE SIZE SHALL BE 3"x5" (OR 4"x4") EA SIDE OF TRUSS @ ALL JOINTS
 - MINIMUM CONTACT AREAS FOR TRUSS PLATES SHALL BE 3.75 SQUARE INCHES ON EA MEMBER @ ALL JOINTS, EA SIDE OF TRUSS
- NAILING, BEAM, AND COLUMN NOTES**
- PLYWOOD FOR ROOF SHALL BE 5/8" OSB BRD. NAILING FOR PLYWOOD ROOF DECKING SHALL BE 8d COMMON NAILS @ 6" CENTER @ SUPPORTED PLYWOOD EDGES AND 8d NAILS @ 6" ON CENTER ALONG ALL INTERMEDIATE SUPPORTS
 - WALL SHEATHING SHALL CONSIST OF 5/8" OSB BRD. NAILING FOR WALL SHEATHING SHALL BE 8d NAILS @ 6" ON CENTER ALONG PLYWOOD EDGES AND 6" ON CENTER ALONG INTERMEDIATE MEMBERS. BLOCK ALL PLYWOOD EDGES.
 - NAILS FOR ALL FRAMING CONNECTORS SHALL BE FURNISHED BY CONNECTOR MANUFACTURER. NAIL PER SCHEDULE FURNISHED BY CONNECTOR MANUFACTURER.

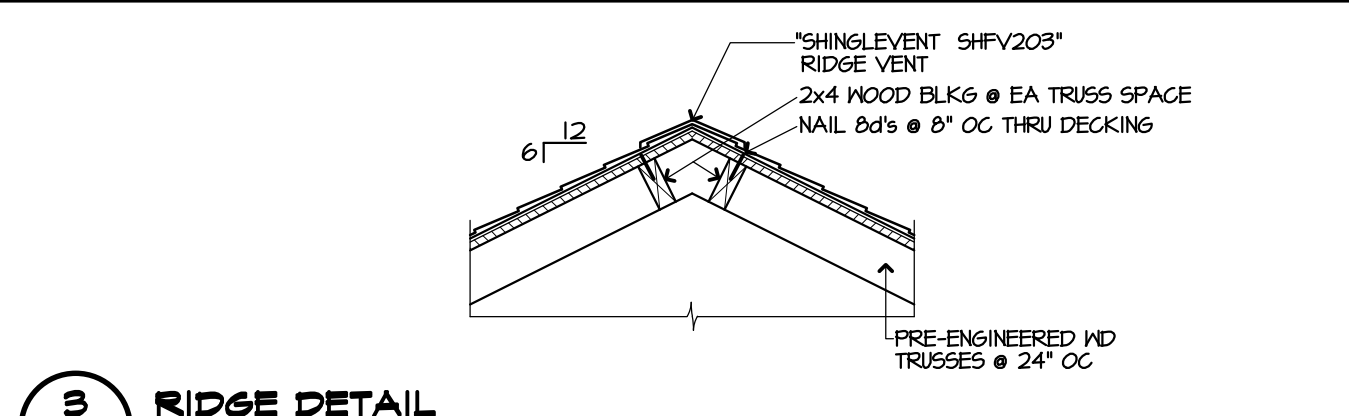
LINTEL SCHEDULE

WALL TYPE	UP TO 4'-0" OPENING	4'-1" TO 6'-0" OPENING	6'-1" TO 8'-0" OPENING	8'-1" TO 10'-0" OPENING
4" VENEER	43/2x31/2x4	45x31/2x4 (LLV)	46x31/2x4 (LLV)	47x4x4 (LLV)

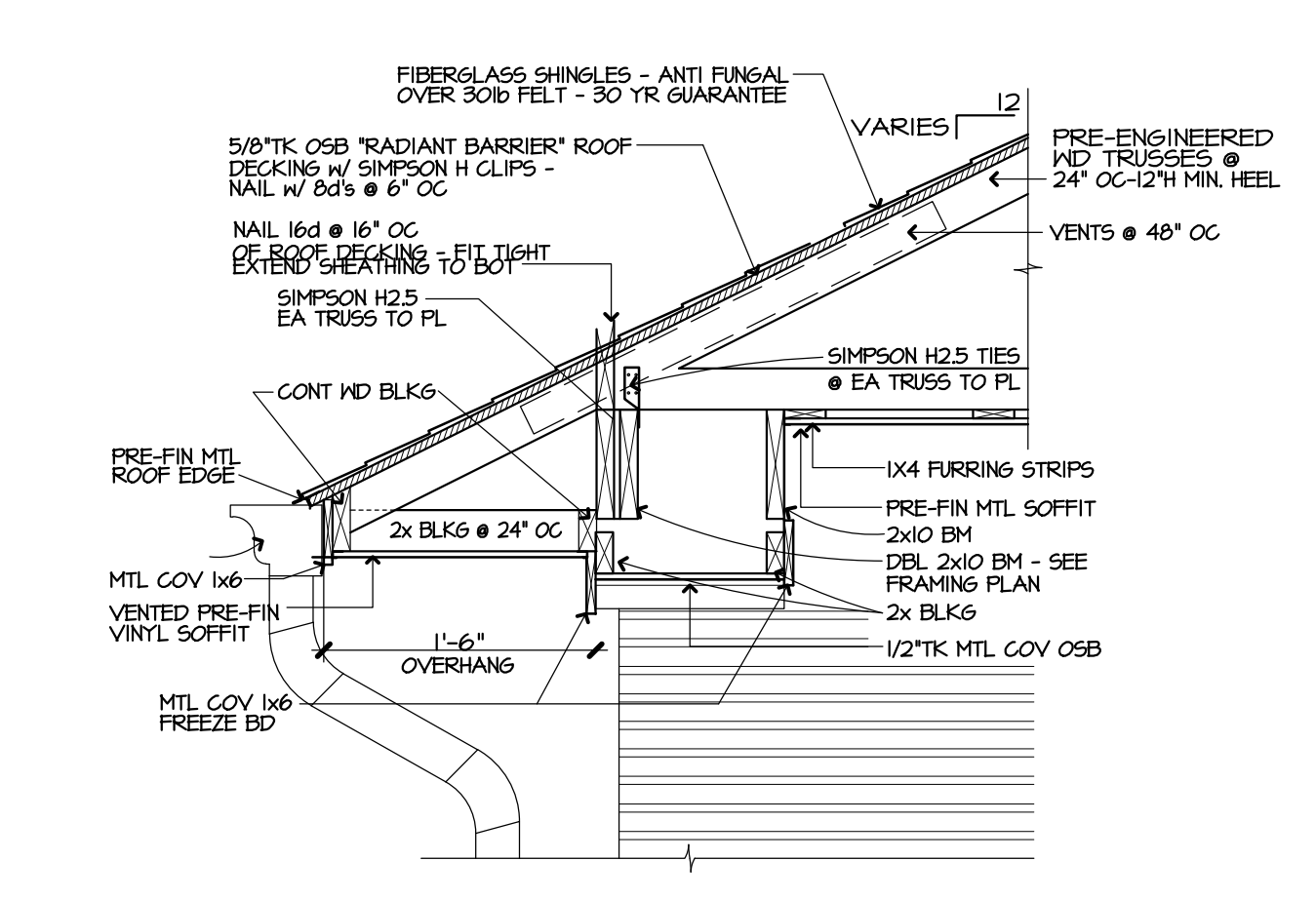
- LINTEL SCHEDULE APPLIES UNLESS NOTED OR DETAILED OTHERWISE.
- BEAR ANGLE LINTELS 8" @ EACH END, MIN. TYP. W.N.O.



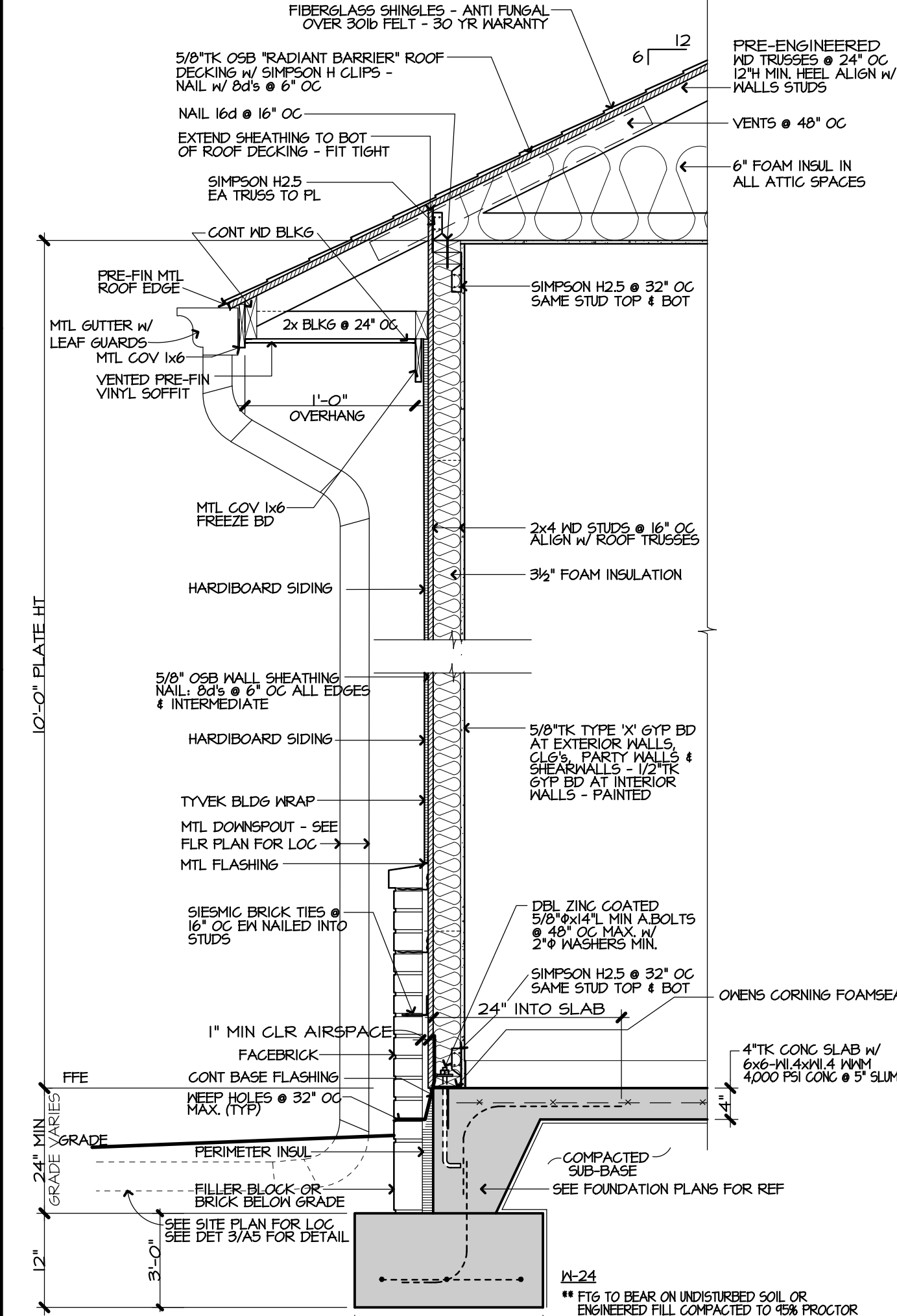
2 ATTIC SCUTTLE
1"



3 RIDGE DETAIL
3/4"



4 SECTION @ COV PORCH
3/4"



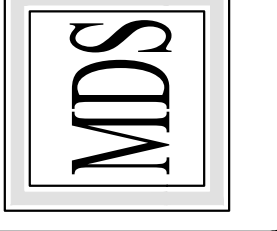
1 TYPICAL WALL SECTION
3/4"

FRAMING & ROOF PLAN
NOTES, DETAILS, AND SCHEDULES

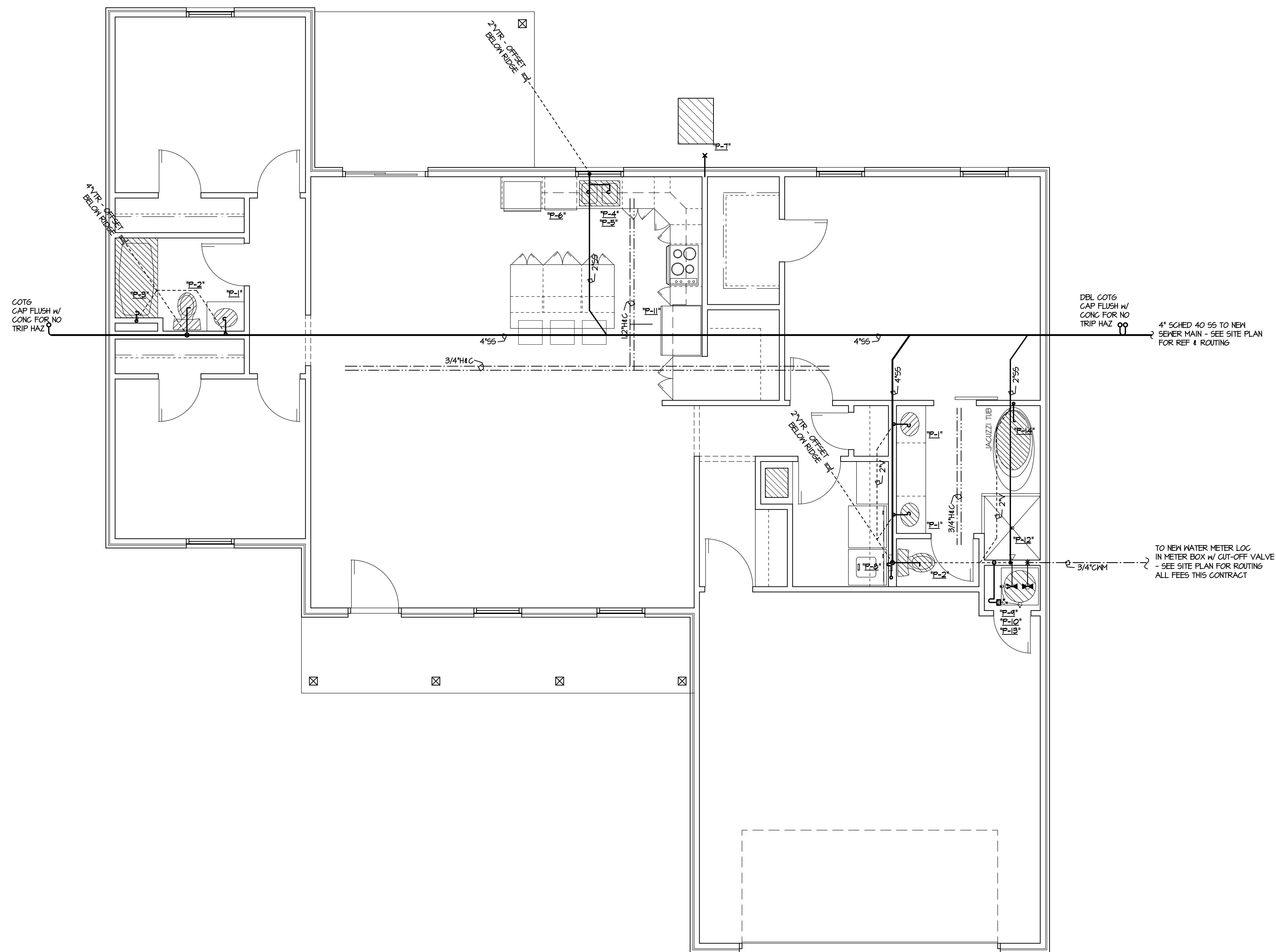
MULTI-FAMILY HOUSING FOR:
COBBLESTONE RIDGE

COMM. NO. 45422
DATE: 07/09/2022
FILE:

MORTIN DESIGN SERVICES, LLC
Commercial & Residential Drafting Consultant
870-284-4054
bmortin.mds@gmail.com



4



PLUMBING PLAN
1/4"

PLUMBING FIXTURE SCHEDULE FIXTURE FINISHES VERIFY W/ OWNER

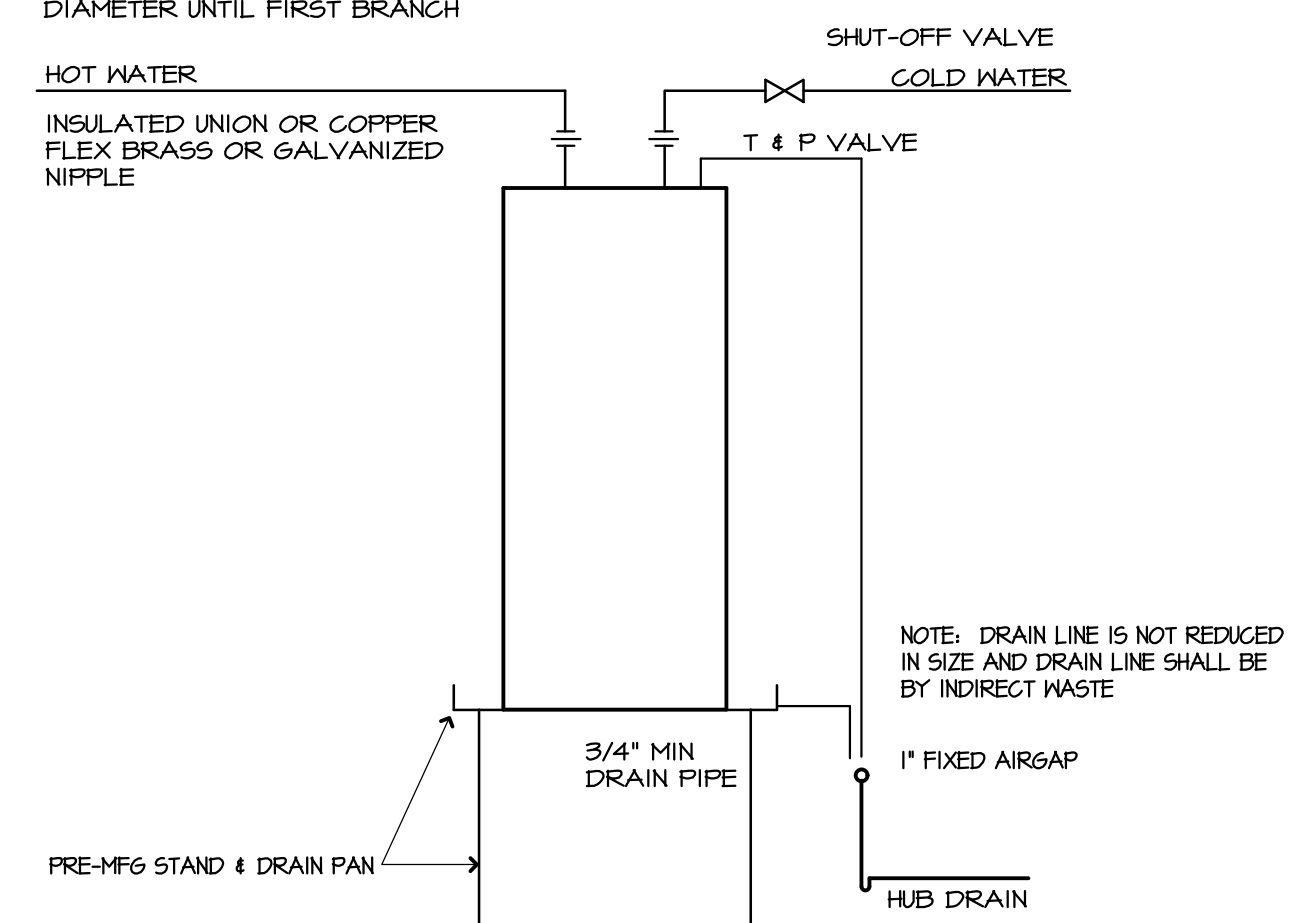
MARK	ITEM	DESCRIPTION	REMARKS
P-1	LAVATORY	22x31 (3 BR) 22x31 (2 BR) MARBLE TOP & INTEGRATED BOWL WITH CHICAGO 420-ABCP FAUCET	(2)
P-2	WATER CLOSET	GERBER MAXWELL 21-412 WITH GLAZED WOOD SEAT	(1), (3)
P-3	TUB / SHOWER	AKER OPTS-6032 W/ FACTORY INSTALLED ROD & CURTAIN DELTA T1420-PD505 FAUCET	(1), (4)
P-4	SS SINK	DAYTON D-23322-4 SS SINK W/ CHICAGO 432ABCP FAUCET & SPRAY DEARBORN BRASS II STRAINER	
P-5	DISPOSAL	6E 6FC525V 1/2 HP CONT FEED GARBAGE DISPOSAL - CORDED	(5)
P-6	DISHWASHER CONNECTION	INSTALLED BY PLUMBING CONTRACTOR	
P-7	HOSE BIBB	HOODFORD MODEL 25P AUTOMATIC DRAINING FREEZELESS WALL FAUCET	
P-8	WASHING MACH CONNECTION	OATEY 38751 W/ NIBCO #14 VALVES	
P-4	WATER HEATER	AO SMITH ELEG 40 GAL ELEG WATER HEATER INCLUDE PRE-MFG STAND & DRAIN PAN	(6)
P-10	HUB DRAIN	2" PROSET TRAP GUARD HUB DRAIN W/ MADE 2490 FIXED AIR GAP MOUNTED @ TOP OF DRAIN	(7)
P-11	ICE MAKER CONNECTION	OATEY 1M.O.B. W/ SUPPLY VALVE	(9)
P-12	TILED SHOWER	DELTA T14232 FAUCET & SHOWER HEAD - VERIFY TILE W/ OWNER	
P-13	CUT-OFF VALVE	PROVIDED THIS CONTRACT	
P-14	JACUZZI TUB	WHIRLPOOL VNA1013 54"x30" FREESTANDING TUB W/ DELTA DLTT128 TRINGIC SINGLE HANDEL FLOOR MOUNTED FAUCET	

REMARKS PLUMBING FIXTURE SCHEDULE

- (1) WHITE
- (2) FIXTURE SUPPLIES & DRAIN SHALL EXTEND NO MORE THAN 6" OUT FROM WALL & SHALL PROVIDE 24" MIN. FLOOR TO BOTTOM - 24" CLEAR UNDER MIN. SINK RIM 34" MAX - SEE MILLWORK FOR REF
- (3) FLUSH HANDLE ON TANK TO BE ON OPEN SIDE OF STALL (ENFORCED)
- (4) DO NOT INSTALL TUB UNIT UNTIL WALL HAS BEEN INSULATED & GYP BD INSTALLED BEHIND TUB
- (5) PROVIDED & INSTALLED BY PLUMBING CONTRACTOR - SEE APPLIANCE SCHED FOR REF
- (6) PROVIDE PRE-MFG STAND & AUXILIARY DRAIN PAN, H&C CUT OFF VALVES @ WATER HEATER SEE DETAIL 1/M
- (7) HUBB DRAINS @ MECHANICAL UNITS SHALL NOT BE INSTALLED IN RETURN AIR SPACE - EXTEND ABOVE MECH PLATFORM WHERE APPLICABLE
- (8) WATER LINE FROM ICE MAKER OUTLET BOX TO REFRIGERATOR TO BE PROVIDED & INSTALLED THIS CONTRACT
- (9) LOOSE FLEX COPPER LINES RUN THROUGH CABINETS WILL NOT BE ACCEPTED. LINES MUST BE CONCEALED IN WALL & FIXED TO PRE-MFG BOX

NOTE: MINIMUM 3/4" NOMINAL DIAMETER UNTIL FIRST BRANCH

HOT WATER
INSULATED UNION OR COPPER FLEX BRASS OR GALVANIZED NIFFLE



THIS WATER HEATER & ALL COMPONENTS SHALL BE INSTALLED PER THE APC - ARKANSAS PLUMBING CODE 2006

1 WATER HEATER DETAIL (TYP - ELEC)
6 NTS

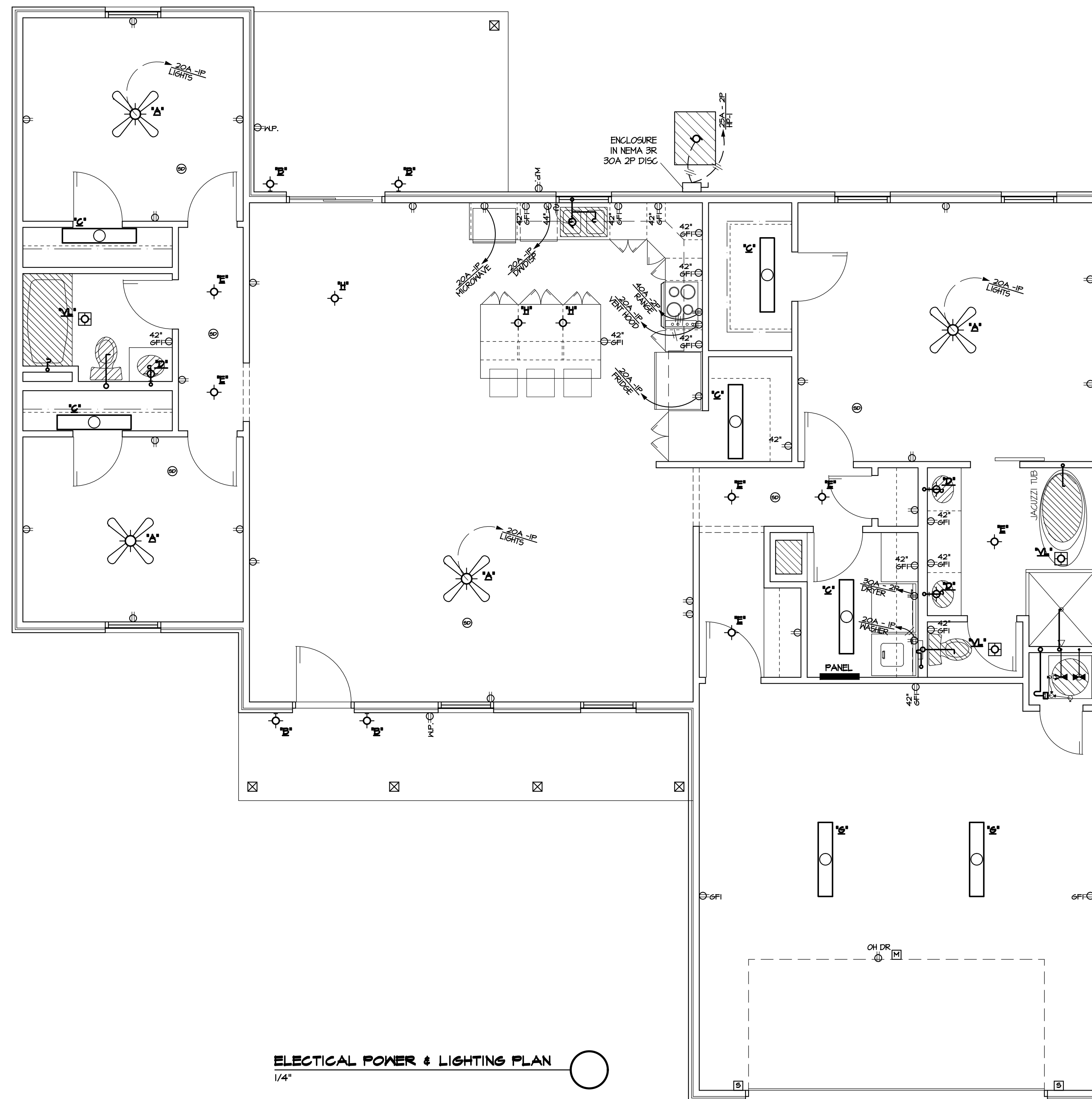
PLUMBING PLAN
NOTES, DETAILS, AND SCHEDULES

MULTI-FAMILY HOUSING FOR:
COBBLESTONE RIDGE

COMM. NO.: 45432
DATE: 07/08/2022
FILE:

MORTIN DESIGN SERVICES, LLC
Commercial & Residential Drafting Consultant
870-284-4054
bmortin.mds@gmail.com





ELECTRICAL POWER & LIGHTING PLAN
1/4"

- ELECTRICAL NOTES:**
1. MINIMUM WIRE SIZE SHALL BE 12ga COPPER
 2. ARC FAULT BREAKERS SHALL BE USED FOR ALL RECEPTACLES & LIGHTING, INCLUDE SMOKE DETECTORS AS REQUIRED BY N.E.C. ALL RECEPTS TAMP PROOF
 3. *SD'S ALL AREAS EXCEPT KITCHEN, LAUNDRY, AND BATH PER THE NEG 210-12
 4. SEE SITE PLAN UTILITY FOR METER / MCB LOCATIONS @ BLDG

ELECTRICAL SYMBOL LEGEND

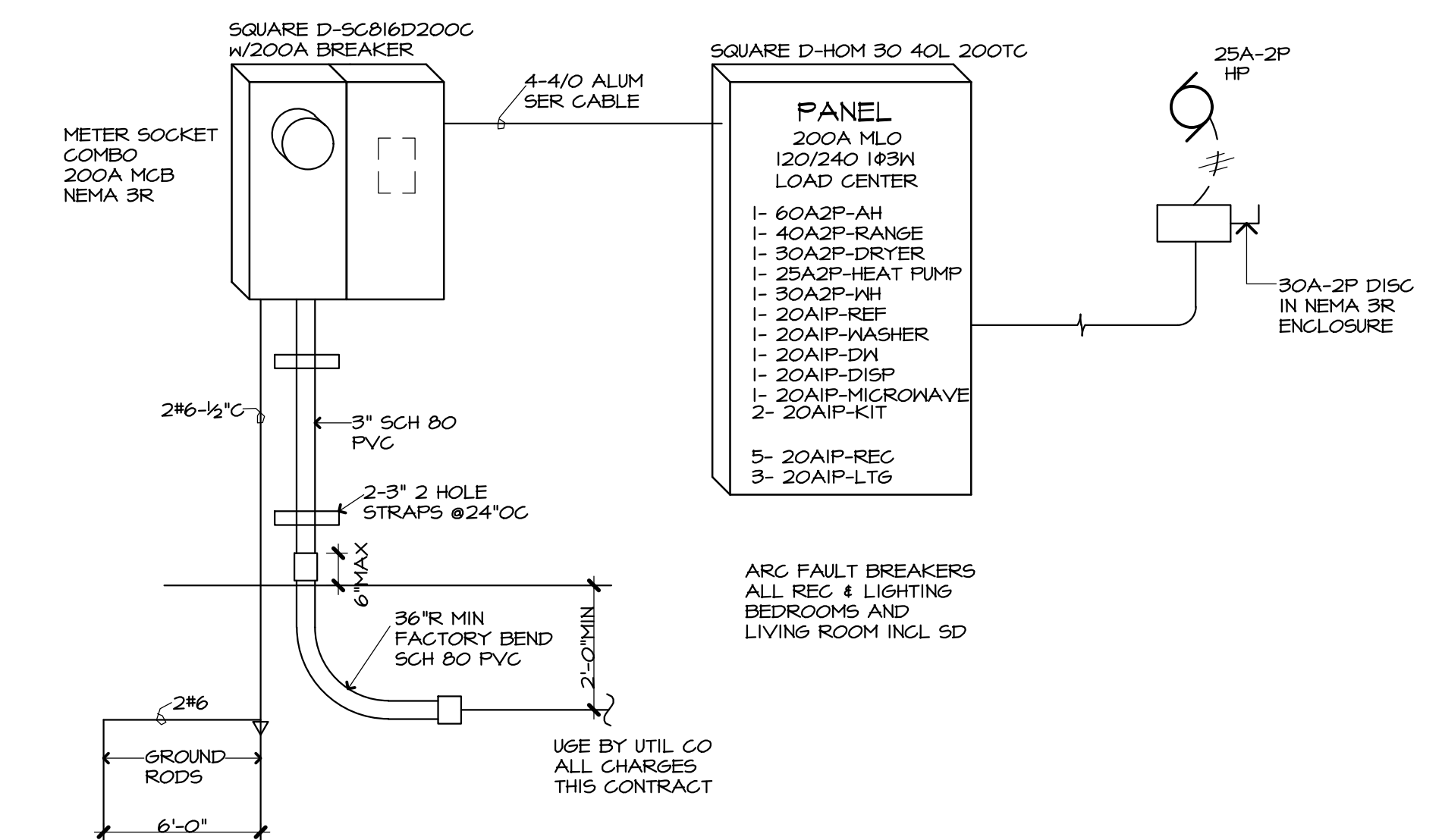
⊕	DUPLEX RECEPTACLE	■	PANEL BOARD
⊕ _{WP}	DUPLEX RECEPTACLE - WATER PROOF	□	DISCONNECT SWITCH
⊕ _{GF}	DUPLEX RECEPTACLE - GROUND FAULT @ ALL LOCATIONS-NO FEED THRU	⊕	JUNCTION BOX
⊕	220 V. RECEPTACLE	⊕	MOTOR
⊕	SINGLE POLE SWITCH	⊕	MOTOR STARTER
⊕ ₂	CL6 FAN & LIGHTING CONTROL SWITCH INTEGRATED CONTROLS, (1) SWITCH PLATE LIGHTING & FAN SPEED	⊕	TIMER
⊕ ₃	3 WAY SWITCH	⊕	FLOOR BOX
⊕ ₄	4 WAY SWITCH	○	FLUORESCENT LIGHT
⊕	VIDEO OUTLET	—	FLUORESCENT LIGHT - STRIP
⊕	COMPUTER OUTLET	—	TRACK LIGHT
⊕	T.V. OUTLET	⊕	INCANDESCENT LIGHT - CL6, SURFACE
⊕	TELEPHONE JACK	⊕	INCANDESCENT LIGHT - WALL
⊕	BELL / CHIME TYP UNIT	⊕	INCANDESCENT LIGHT - VENT
⊕	BELL / CHIME BROAN 978 @ 6'-8" A.F.F. ALTRONIX-AL624 POWER SUPPLY, STROBE WHEELLOCK PM 3T-24-FR TRANS - 120V PRIMARY - 12V OR 24V DC SECONDARY. STROBE IN LIV, BR, & BATH S.I. UNIT ONLY CHIME PUSH BUTTON BROAN 908	⊕ _{EL}	EMERGENCY LIGHT
⊕	THERMOSTAT	⊕	EXIT LIGHT
⊕	EXHAUST	⊕	INTERCOM MASTER
⊕	SMOKE DETECTOR FIREX #244 w/STROBE IN BEDROOM AND KITCHEN @ HEARING & SIGHT IMPAIRED UNIT ONLY	⊕	INTERCOM PAGING HORN
		⊕	CL6 MOUNTED INTERCOM SPEAKER
		⊕	INTERCOM PUSH TO CALL SWITCH
		⊕	MASTER CLOCK
		⊕	CLOCK OUTLET
		⊕	EMERGENCY PULL SWITCH LEVITON DRILL TOGGLE & INSTALL BRAIDED CORD OR CHAIN & END CAP TO FLOOR, 5/8" ON WHEN PULLED DOWN.
		⊕	O.H. DOOR KEYPAD/OPENER
		⊕	O.H. DOOR OPERATOR
		⊕	O.H. DOOR SENSOR

ELECTRICAL FIXTURE SCHEDULE

MARK	DESCRIPTION	LAMP	MOUNTING	REMARKS
'A'	EMERSON CF1050RB w/ LK 700RB LT KIT	(3) 13W MED BASE CFL	HUGGER	(2)
'B'	PROGRESS P5062-20 w/ TAIL	(1) 60W A CLEAR	WALL	(2)
'C'	PROGRESS P5T24-20 4.25"	(2) 60W A19 CLEAR	FLUSH @ CL6	(2)
'D'	PROGRESS P3015-30	(2) T5W A	WALL	(2), (4)
'E'	PROGRESS 5" CAN LIGHT P8061-20-30K	(1) T5W A	RECESSED CL6	
'F'	MEADER BROTHERS I07TIEB	(3) 26W CFL	SURFACE	(2)
'G'	CRESCENT NL232BL2A	(2) 32W T8 48"L	SURFACE - WRAP	
'H'	PENDENT - SELECTED BY OWNER	(1) T5W A	SURFACE STEM	
'V'	BROAN 678	(1) 100W A	RECESSED	50 CFM
'S'	HUBBELL MICO150H350 - VERIFY w/ SITE PLAN	(1) T5W MH	CONC FTG	(1), (3)

REMARKS ELECTRICAL FIXTURE SCHEDULE

- (1) REFER TO SITE PLAN ARCHITECTURAL
- (2) ALL FIXTURES TO BE OIL RUBBED BRONZE FINISH
- (3) MOUNT TO CONC FOOTING PER REQ.
- (4) CENTER VANITY LIGHT ON CENTER OF VANITY - COORDINATE w/ FRAMING. DO NOT INSTALL OFF CENTER



ELECTRICAL POWER DIAGRAM
NTS

NOTE: REFER TO ELEC COMPANY / UTIL CO FOR UNDERGROUND SERVICE REQUIREMENTS

ELECTRICAL POWER & LIGHTING PLAN
ELECTRICAL POWER RISER DIAGRAM

MULTI-FAMILY HOUSING FOR:
COBBLESTONE RIDGE

CON. NO. 45433
DATE: 07/08/2022
FILE:

MORTIN DESIGN SERVICES, LLC
Commercial & Residential Drafting Consultant
870-284-4054
bmortin.mds@gmail.com

